

FBM-1068-BLK

FORD Crossbar Mount

Configuration as shown:

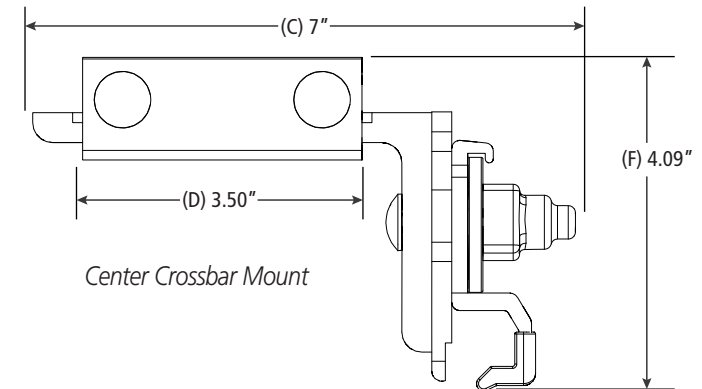
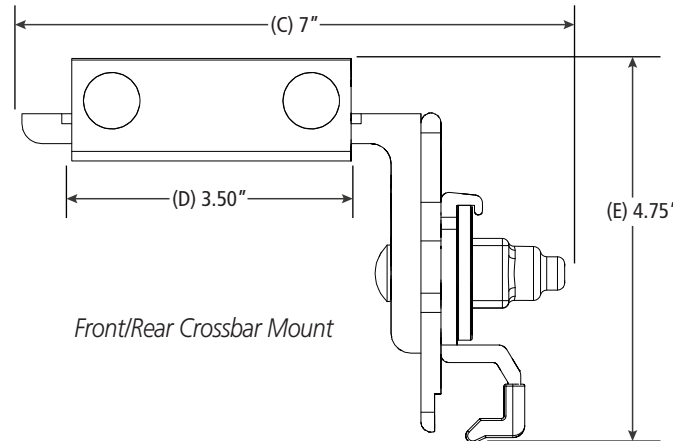
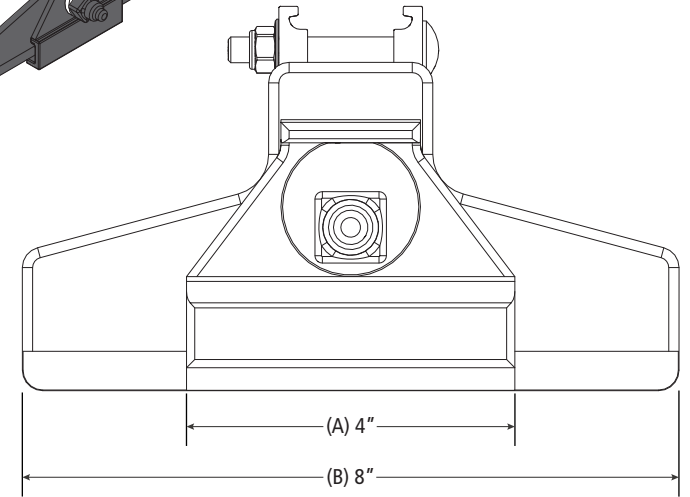
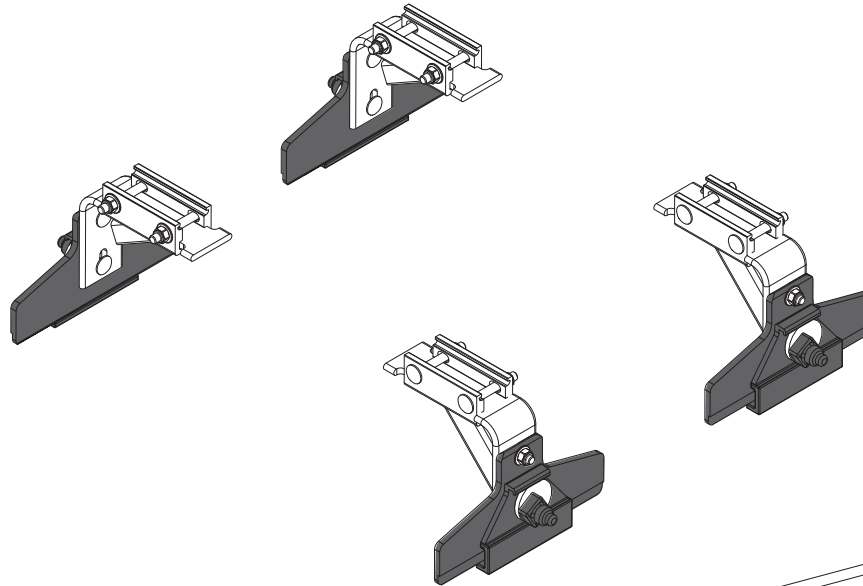
Three Crossbar Mounting
 Vehicle Roof Gutter Mounting Brackets
 Kit Weight: 15 lbs

Approximate dimensions as shown:

- A: Z Plate Width 4"
- B: Mounting Plate Width 8"
- C: Mounting Bracket Total Length 7"
- D: Top Clamp Length 3.50"
- E: Total Mounting Bracket Height (F/R) 4.75"
- F: Total Mounting Bracket Height (C) 4.09"

[Modular Assembly Manuals](#)

**Three Crossbar Mountings*



Assembly Manual also available:

[FBM-1068-BLK](#)

USOV-FBM1068-US01 Rev-A 0522