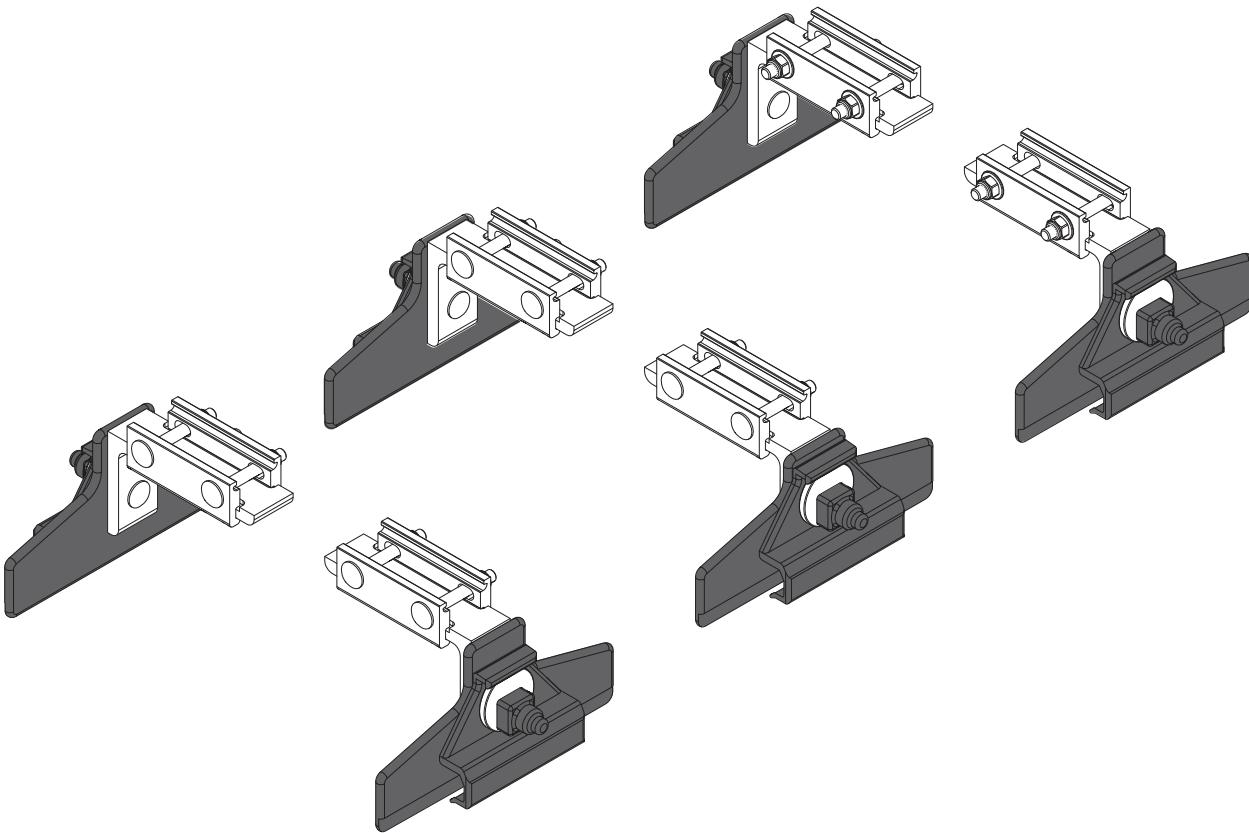


# PRIME DESIGN™

A Safe Fleet Brand



PRIME  
RACK  
FBM-1025

## 1996+ Chevrolet Express Gutter Mount Frame Base Mounting Kit

Page 2                      Packaging Contents

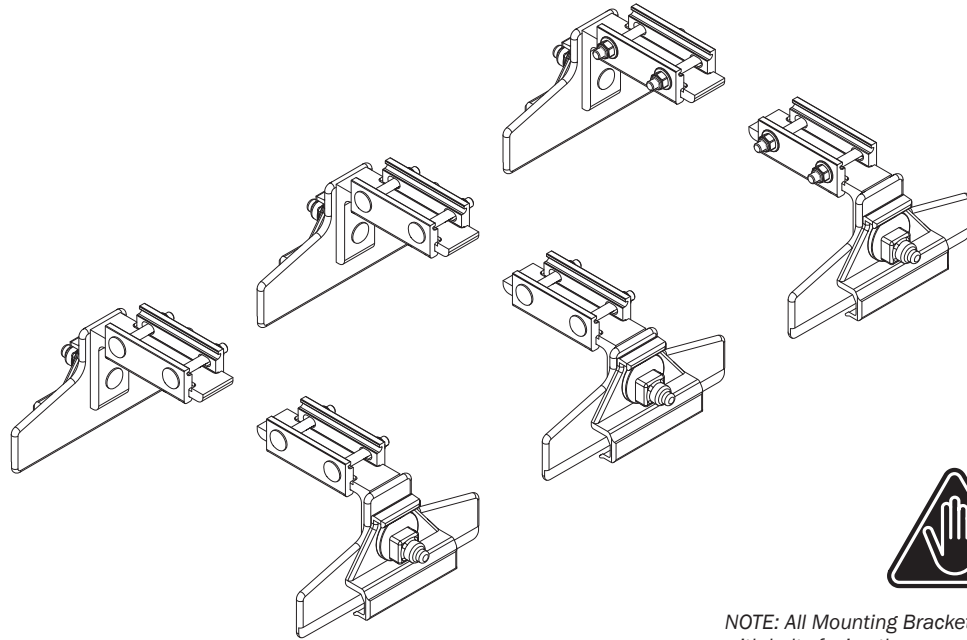
Pages 3-6                  Low Roof Medium/Extended Wheelbase (135"-155")

PRIME DESIGN, A SAFE FLEET BRAND

Address: 580 Opperman Drive, Eagan, MN 55123 • Toll Free: 1.8.PRIME.RACK

Fax: 651-552-1799 • Email: [info@primedesign.net](mailto:info@primedesign.net) • Website: [www.primedesign.net](http://www.primedesign.net)

# CONTENTS OVERVIEW

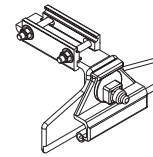


*NOTE: All Mounting Brackets come pre-assembled with bolts facing the same orientation. For safety, it's recommended to position all protruding Top Clamp bolts inward. This will necessitate a partial reassemble of two of the four Mounting Brackets as shown in Steps 1.1-1.6 on pages 3 & 4.*

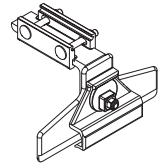
1—FBM-1025-BLK..... (Qty 1)  
Channel Mounting Brackets, w/HKT-8018



Cam Bolt Cap (6X)



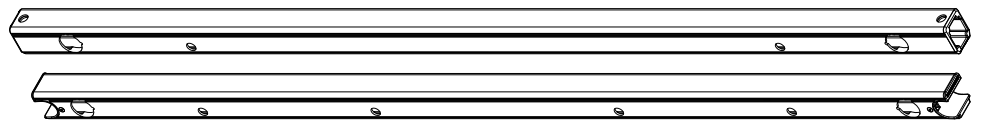
Mid Mounting Brackets (2X)



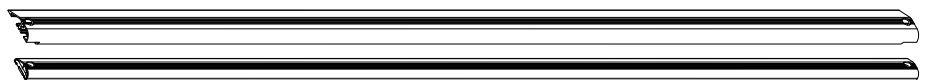
Mounting Brackets (4X)

2—Crossbars (shown for illustrative purposes only)  
Ordered separately

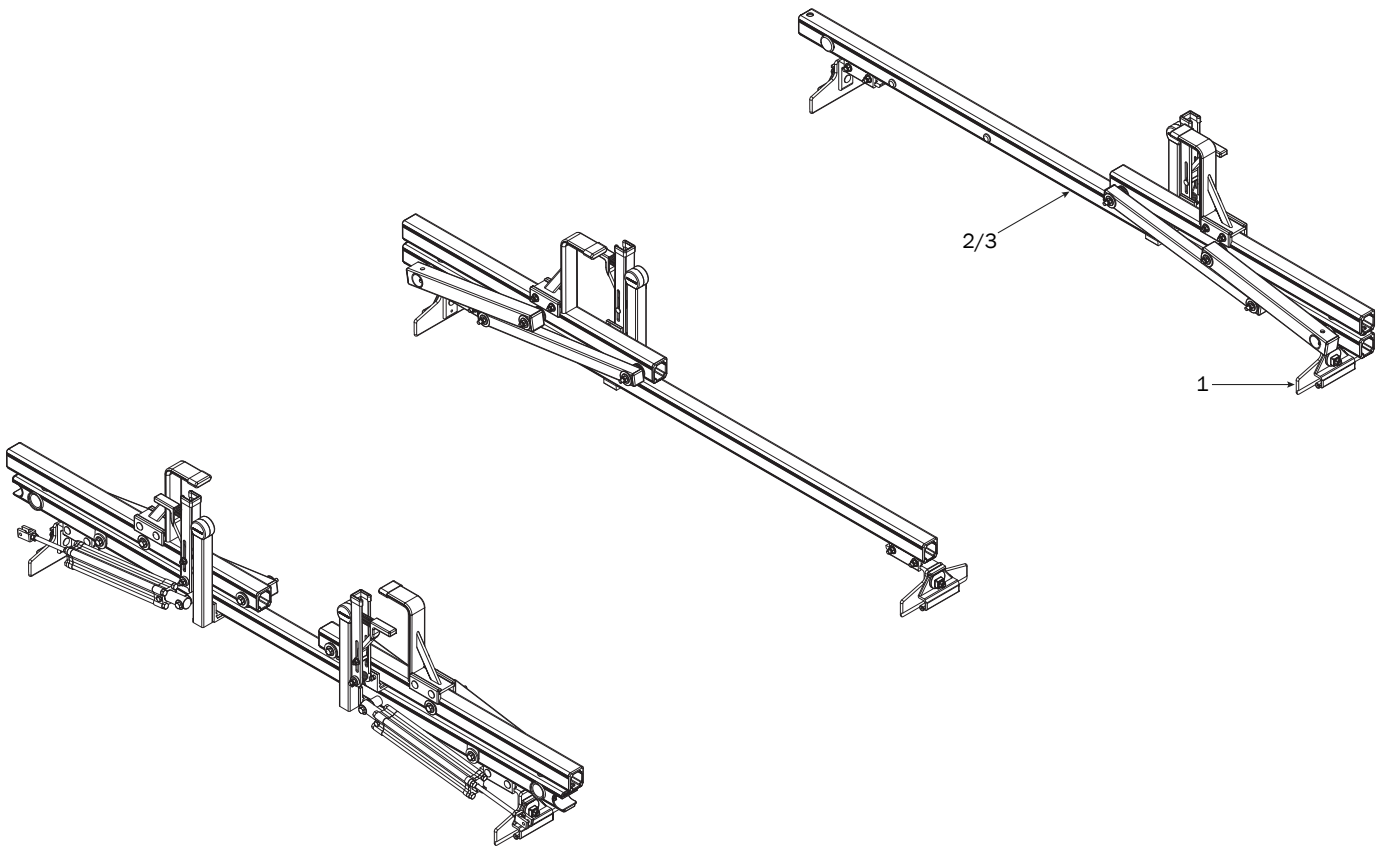
EgoRack, Gen4



AluRack

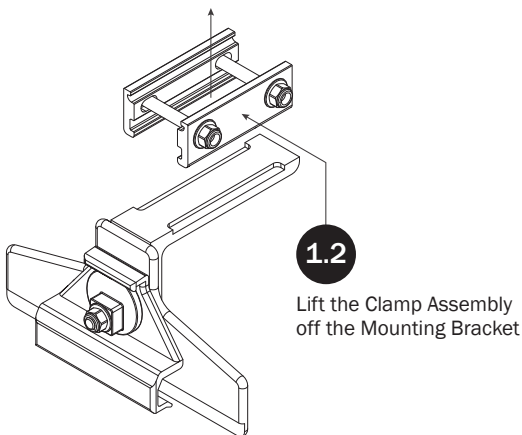
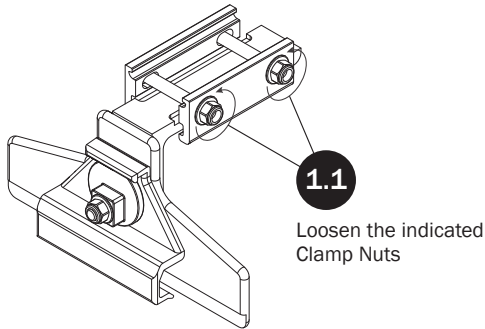


# ERGORACK FBM ASSEMBLY SEQUENCE

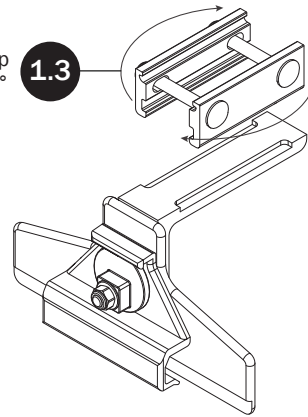


## MOUNTING BRACKETS

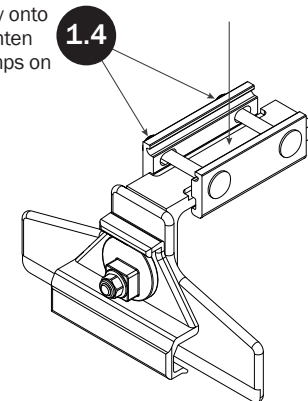
Set aside two of six Mounting Brackets, and perform Steps 1.1-1.6 to all, then proceed to Step 2.1

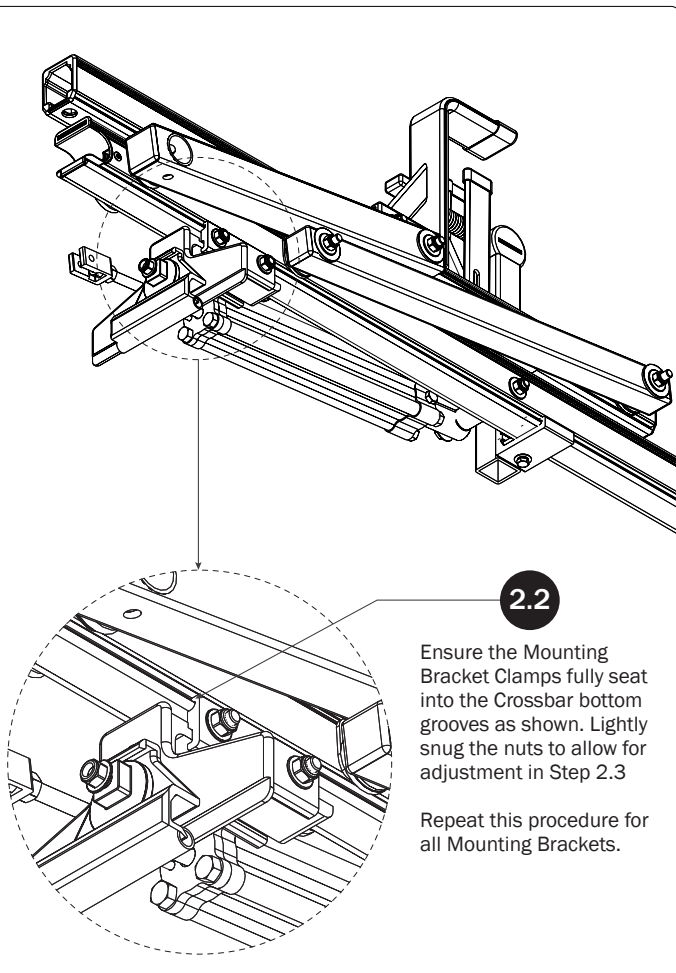
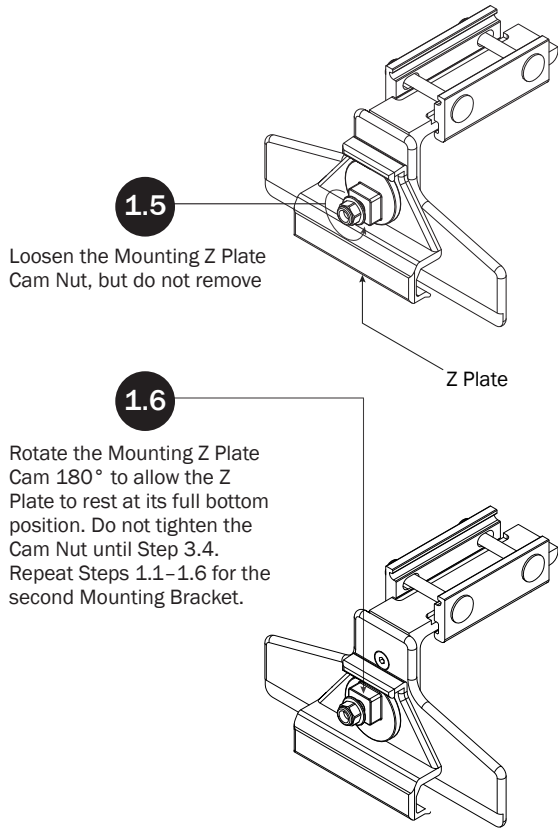


Rotate the Clamp  
Assembly 180°



Lower the Clamp Assembly onto  
the Mounting Bracket. Tighten  
only enough to retain Clamps on  
Mounting Bracket.

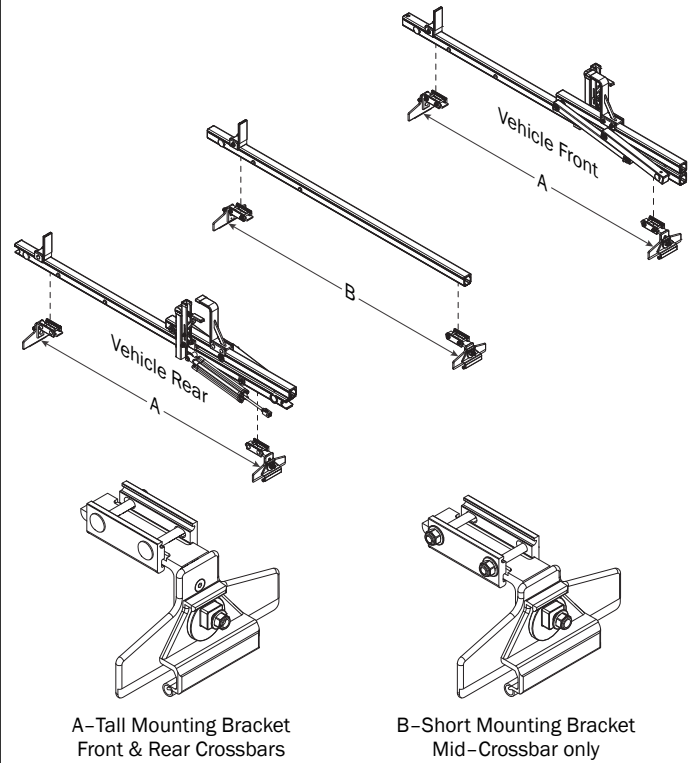




**CROSSBARS**

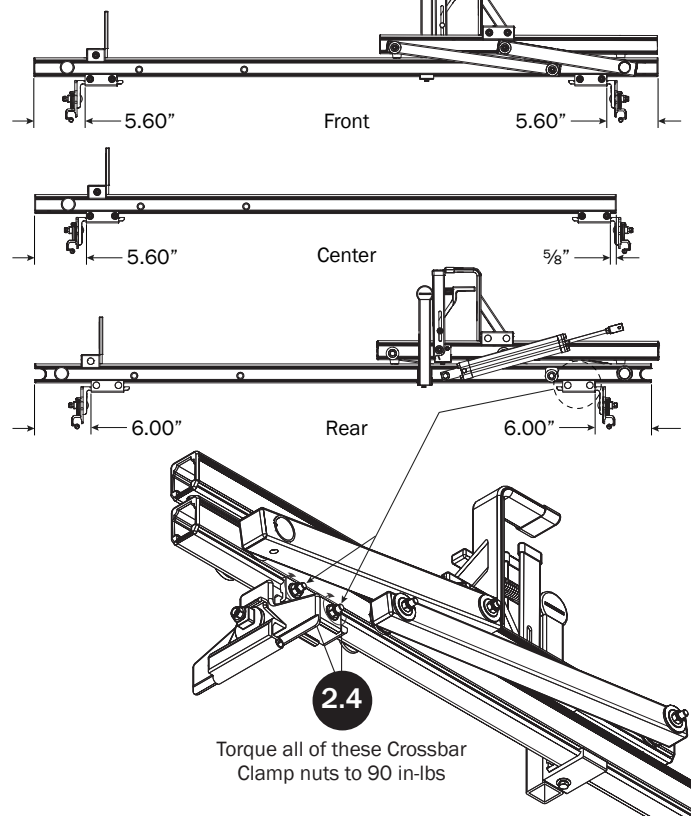
Shown with LH Base, and RH Rotation for illustrative purposes only

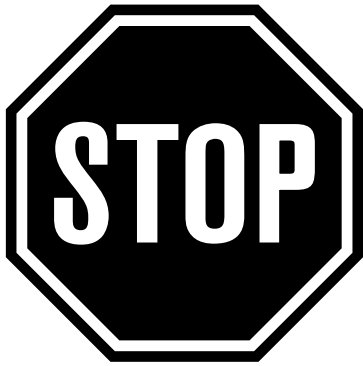
**2.1** Position the applicable Mounting Brackets according to the illustrations shown below while ensuring all bolts protrude inward as noted on page 2.



**CROSSBAR ADJUSTMENT**

**2.3** Position all Crossbars onto the Mounting Brackets according to the dimensions shown below.





Refer to the respective FEA or AR Assembly Manual(s) included with your chosen rack configuration features. Depending upon the features chosen, you may need to perform a complete feature assembly onto the Crossbars as noted in that feature's Assembly Manual.

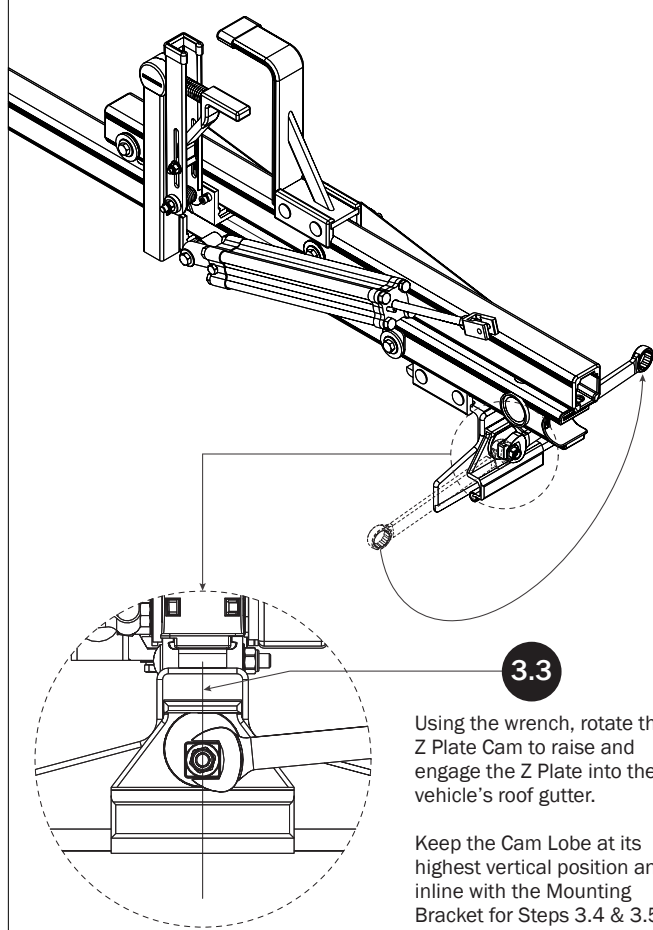
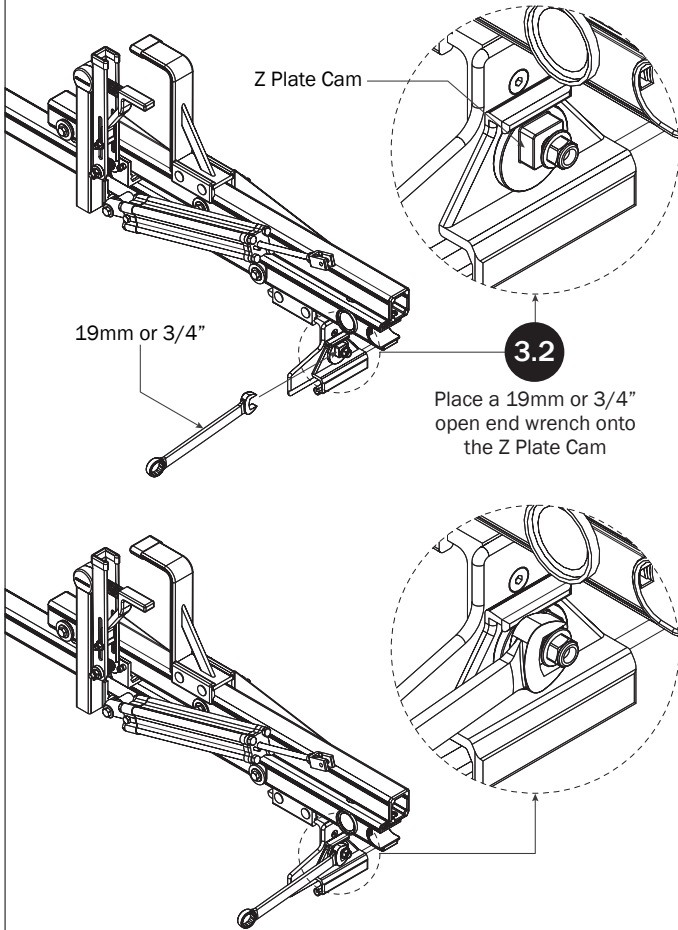
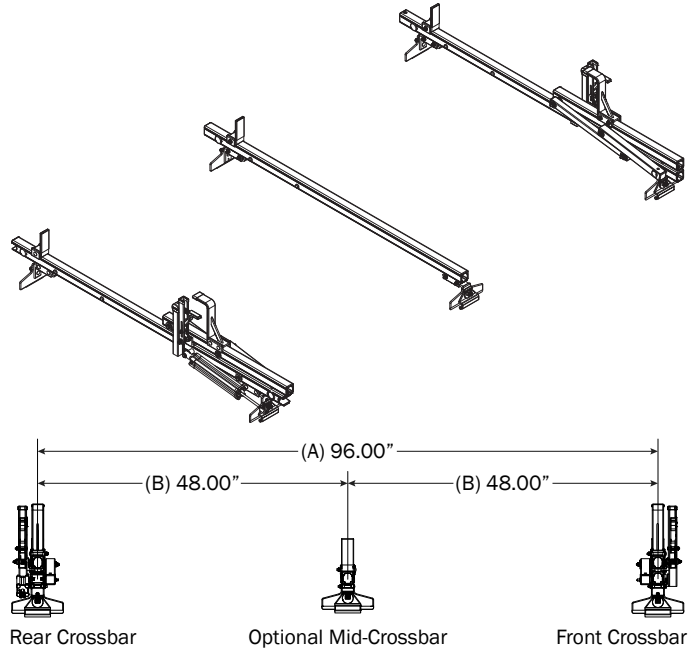
**WARNING:** Failure to position the Crossbars as shown in this FBM Assembly Manual may result in damage to the vehicle and/or ladder rack.

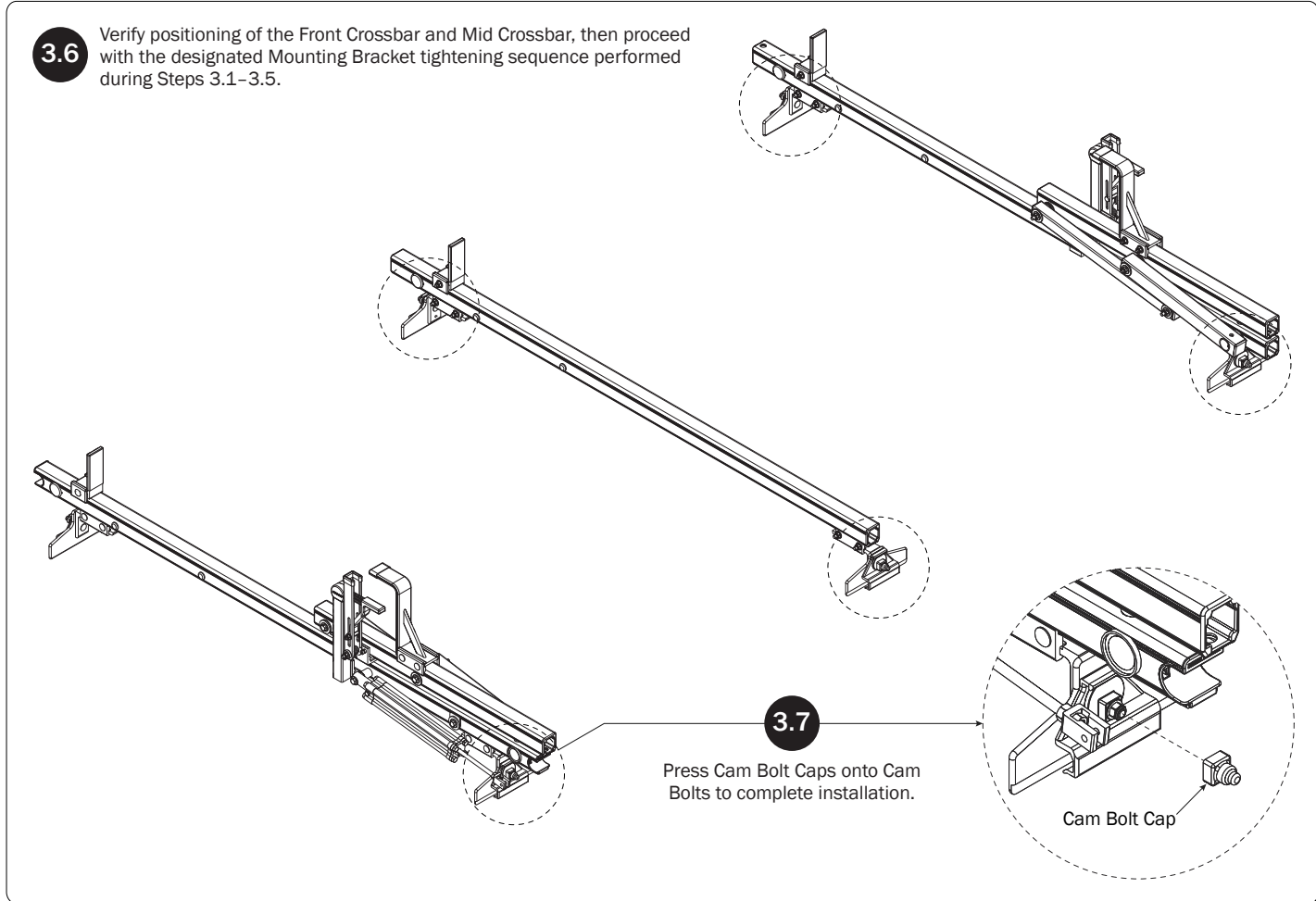
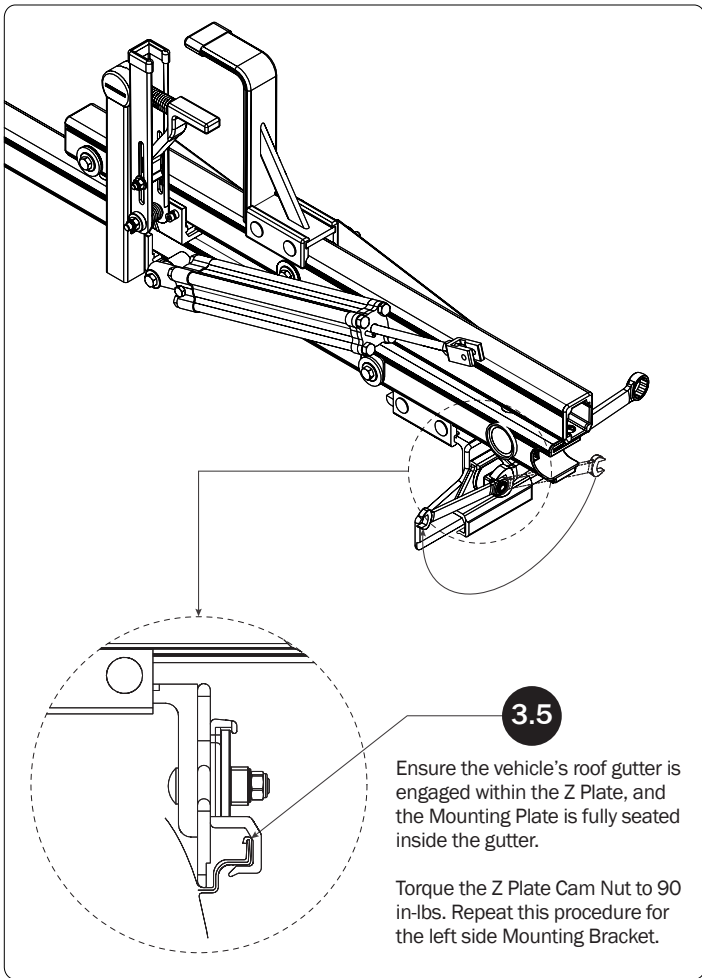
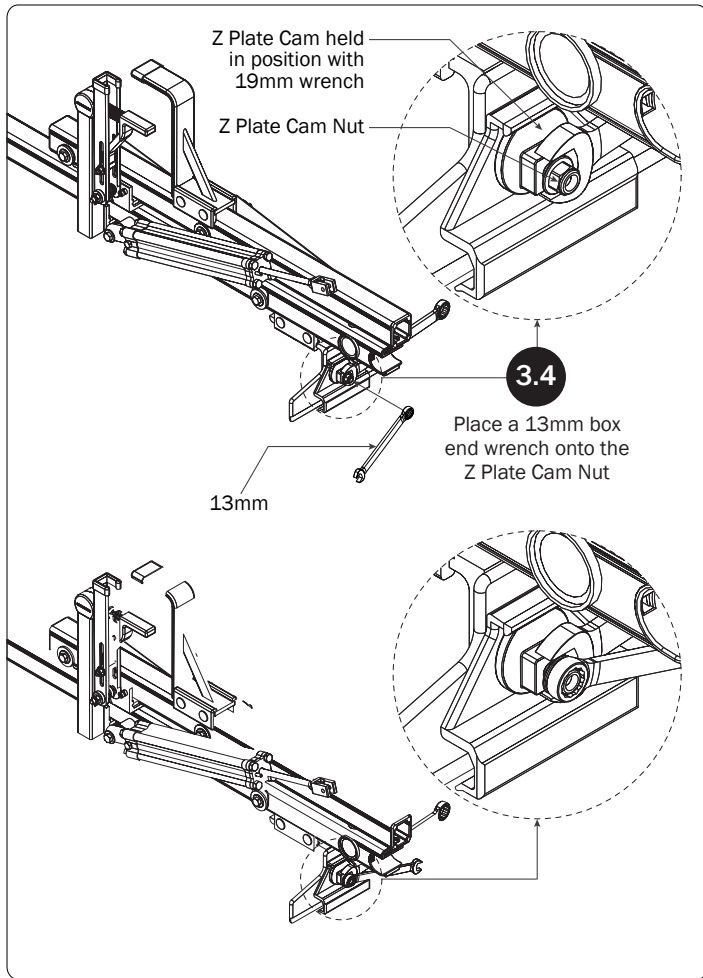
**NOTE:** Crossbars, Side Rails, Base, Clamp Down, or Rotation features are not included in this FBM kit, and must be purchased separately. To purchase applicable features and accessories, please contact your authorized distributor, or a Prime Design Sales & Service Representative.

## VEHICLE MOUNTING SEQUENCE

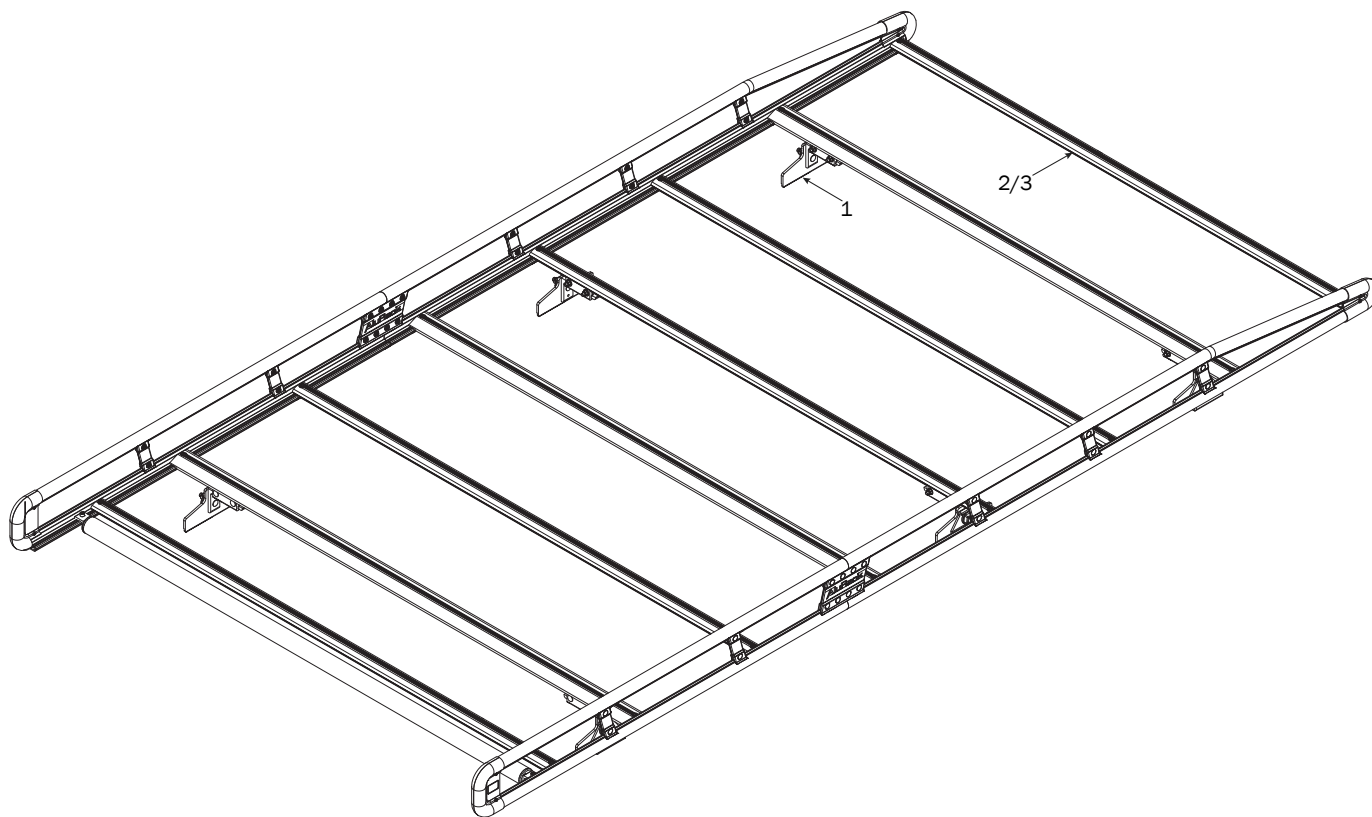
**3.1** Set to distances shown below:

Beginning with the Rear Crossbar, position it on the vehicle's roof, then proceed to Step 3.2 to tighten the Rear Crossbar Mounting Brackets in place. Place the remaining Crossbar(s) onto the roof and set according to designated dimensions shown below, but do not tighten. Proceed to your Feature (FEA) Assembly Manual if required.



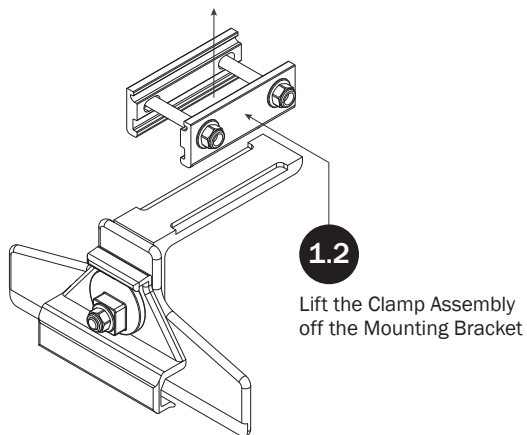
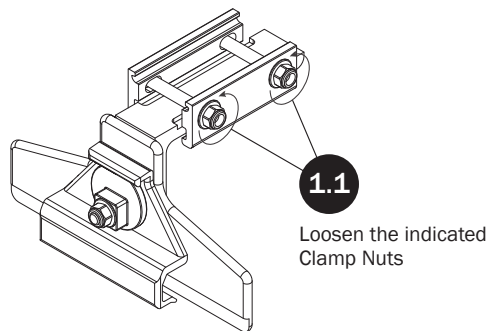


# ALURACK FBM ASSEMBLY SEQUENCE

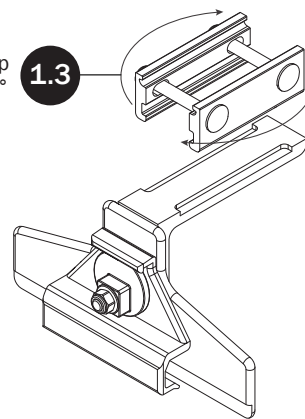


## MOUNTING BRACKETS

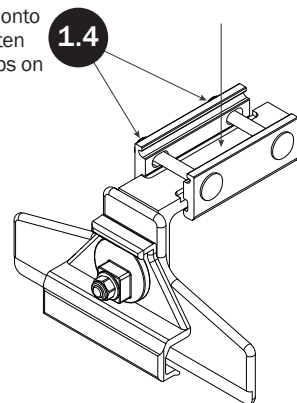
Set aside two of six Mounting Brackets, and perform Steps 1.1-1.6 to all, then proceed to Step 2.1

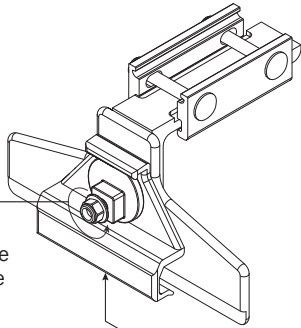


Rotate the Clamp  
Assembly 180°

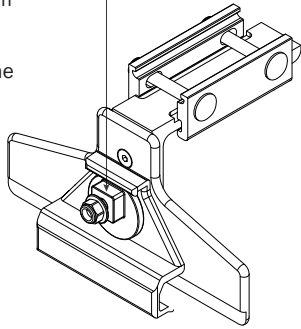


Lower the Clamp Assembly onto  
the Mounting Bracket. Tighten  
only enough to retain Clamps on  
Mounting Bracket.



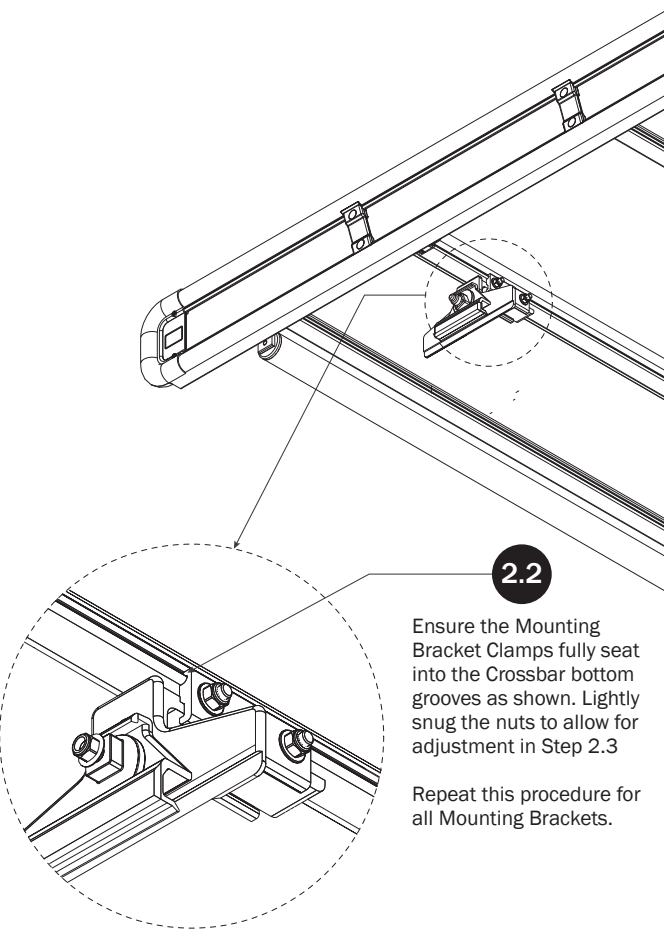


**1.5**  
Loosen the Mounting Z Plate Cam Nut, but do not remove



**1.6**  
Rotate the Mounting Z Plate Cam 180° to allow the Z Plate to rest at its full bottom position. Do not tighten the Cam Nut until Step 3.4. Repeat Steps 1.1–1.6 for the second Mounting Bracket.

Z Plate

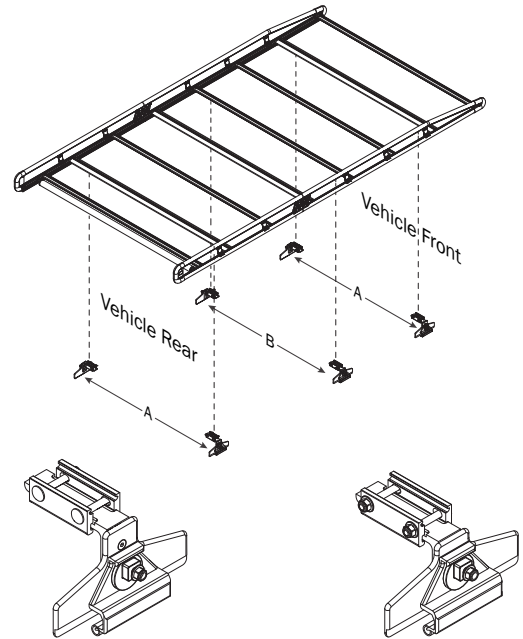


**2.2**  
Ensure the Mounting Bracket Clamps fully seat into the Crossbar bottom grooves as shown. Lightly snug the nuts to allow for adjustment in Step 2.3  
Repeat this procedure for all Mounting Brackets.

## CROSSBARS

Shown with GM AluRack for illustrative purposes only

**2.1** Position the applicable Mounting Brackets according to the illustrations shown below while ensuring all bolts protrude inward as noted on page 2.



A—Tall Mounting Bracket  
Front & Rear Crossbars

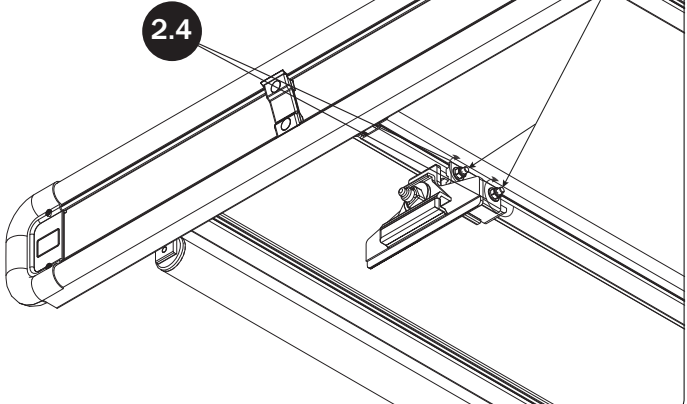
B—Short Mounting Bracket  
Mid—Crossbar only

## CROSSBAR ADJUSTMENT

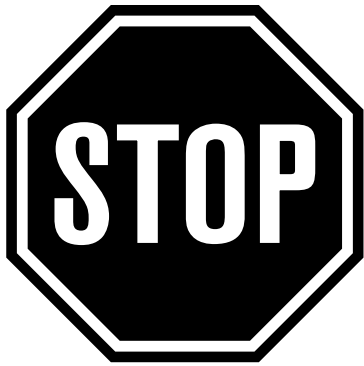
**2.3** Position Crossbars onto the Mounting Brackets according to the dimensions shown below.



Torque all of these Crossbar Clamp nuts to 90 in-lbs







Refer to the respective FEA or AR Assembly Manual(s) included with your chosen rack configuration features. Depending upon the features chosen, you may need to perform a complete feature assembly onto the Crossbars as noted in that feature's Assembly Manual.

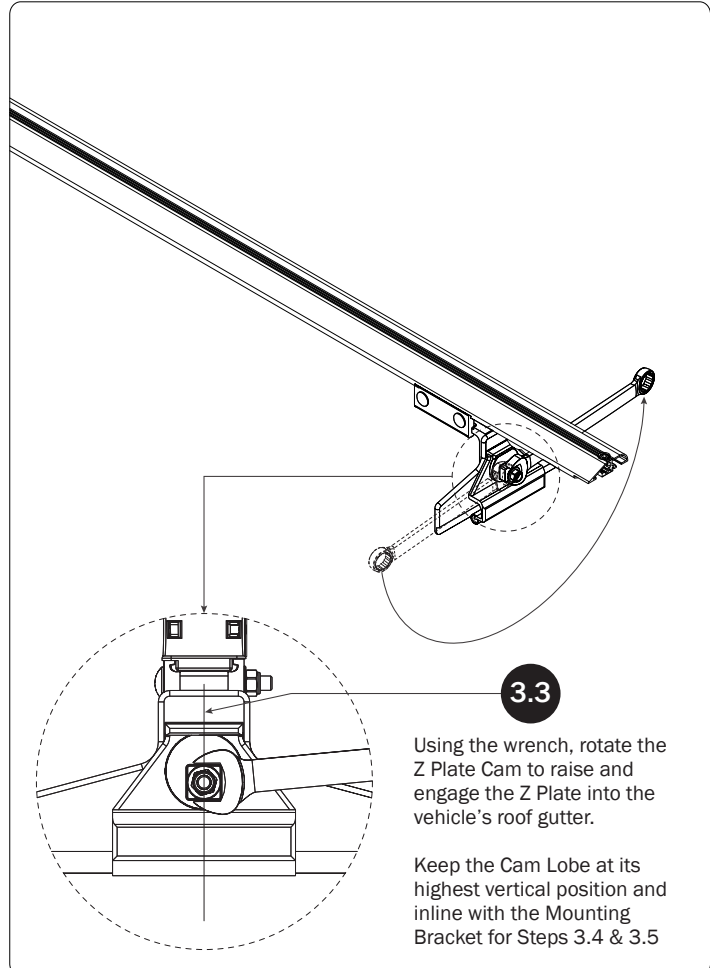
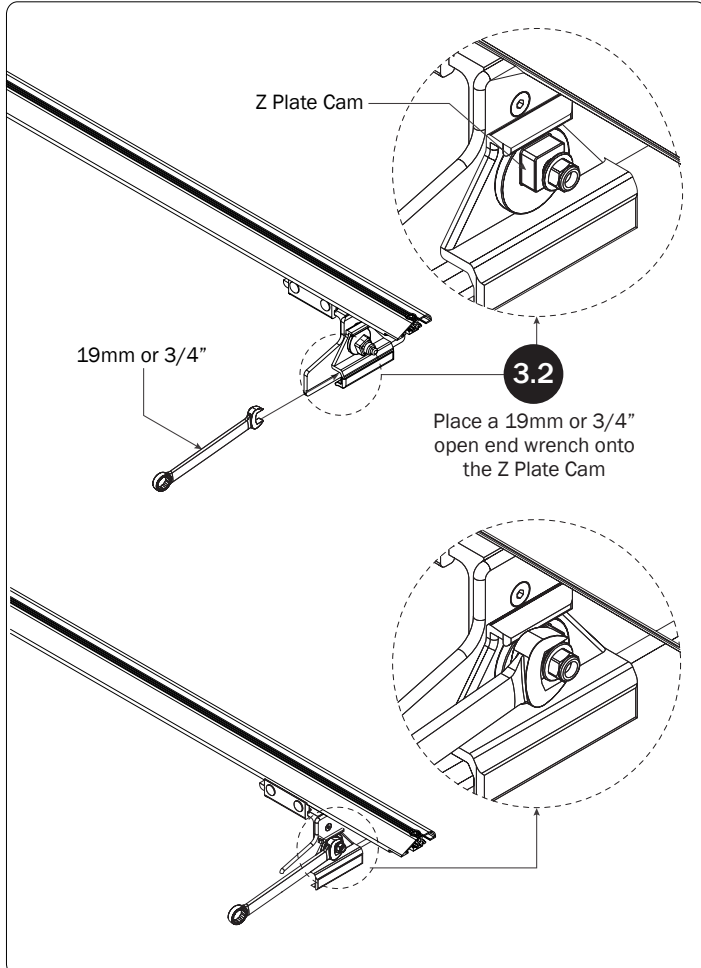
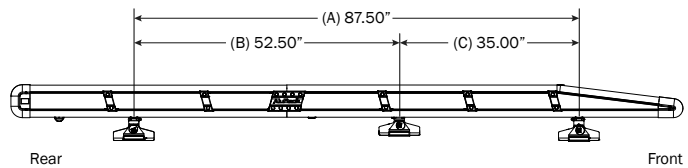
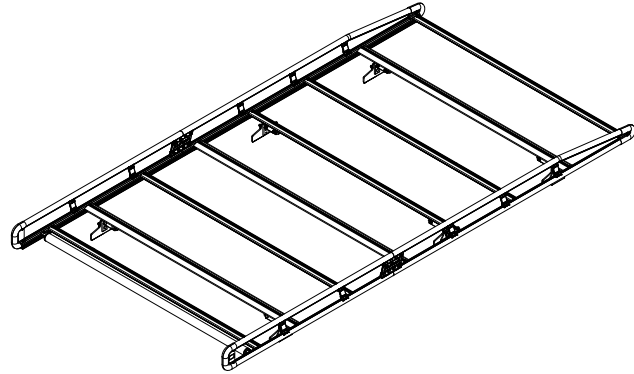
**WARNING:** Failure to position the Crossbars as shown in this FBM Assembly Manual may result in damage to the vehicle and/or ladder rack.

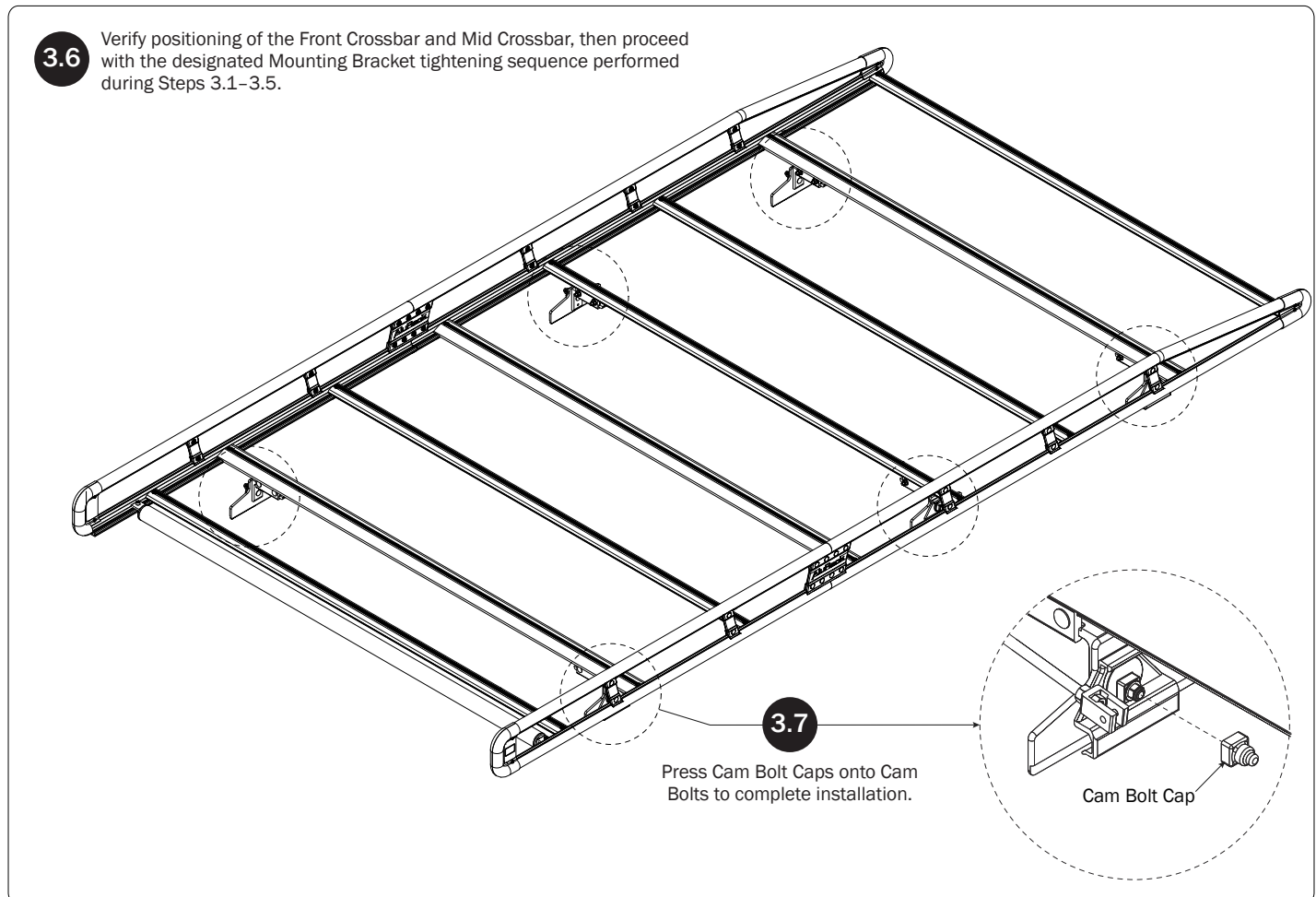
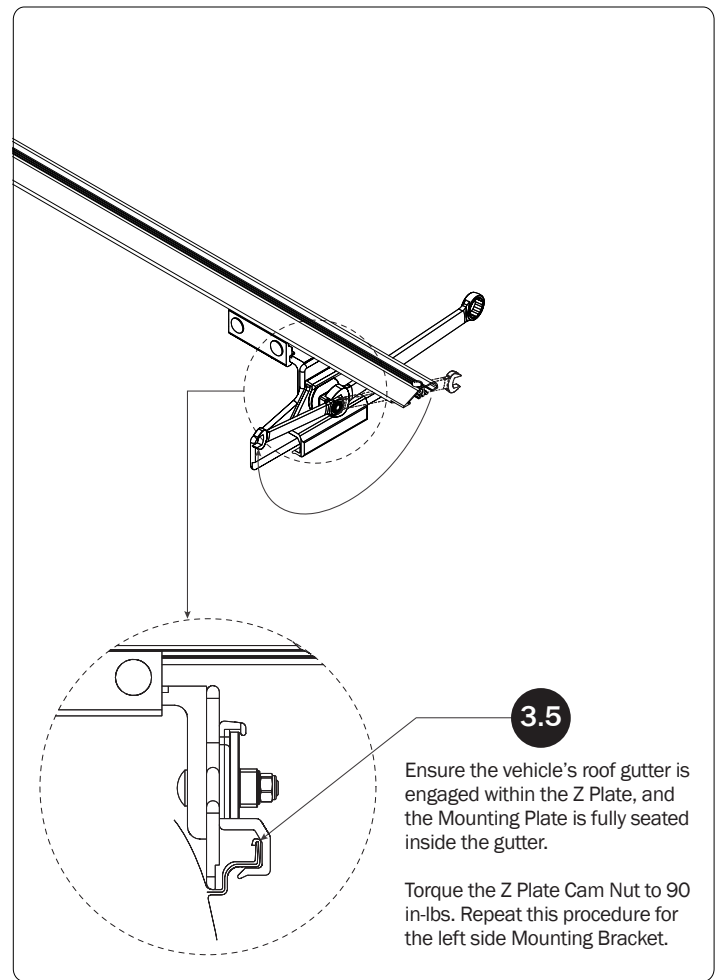
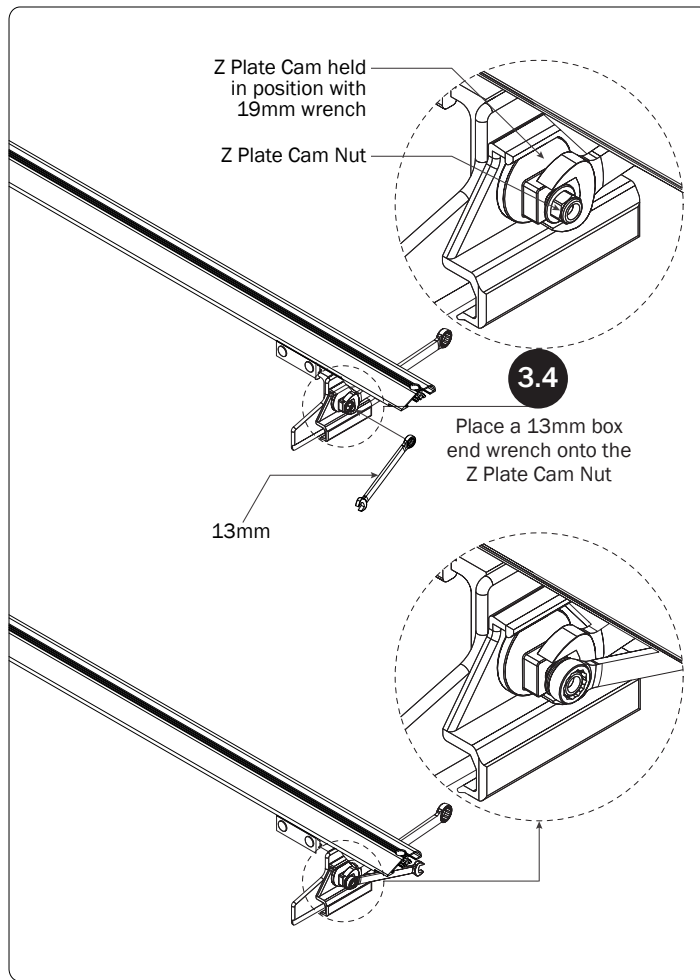
**NOTE:** Crossbars, Side Rails, Base, Clamp Down, or Rotation features are not included in this FBM kit, and must be purchased separately. To purchase applicable features and accessories, please contact your authorized distributor, or a Prime Design Sales & Service Representative.

## VEHICLE MOUNTING SEQUENCE

**3.1** Set to distances shown below:

Beginning with the Rear Crossbar, position it on the vehicle's roof, then proceed to Step 3.2 to tighten the Rear Crossbar Mounting Brackets in place. Place the remaining Crossbar(s) onto the roof and set according to designated dimensions shown below, but do not tighten. Proceed to your Feature (FEA) Assembly Manual if required.





Page Intentionally Left Blank

