

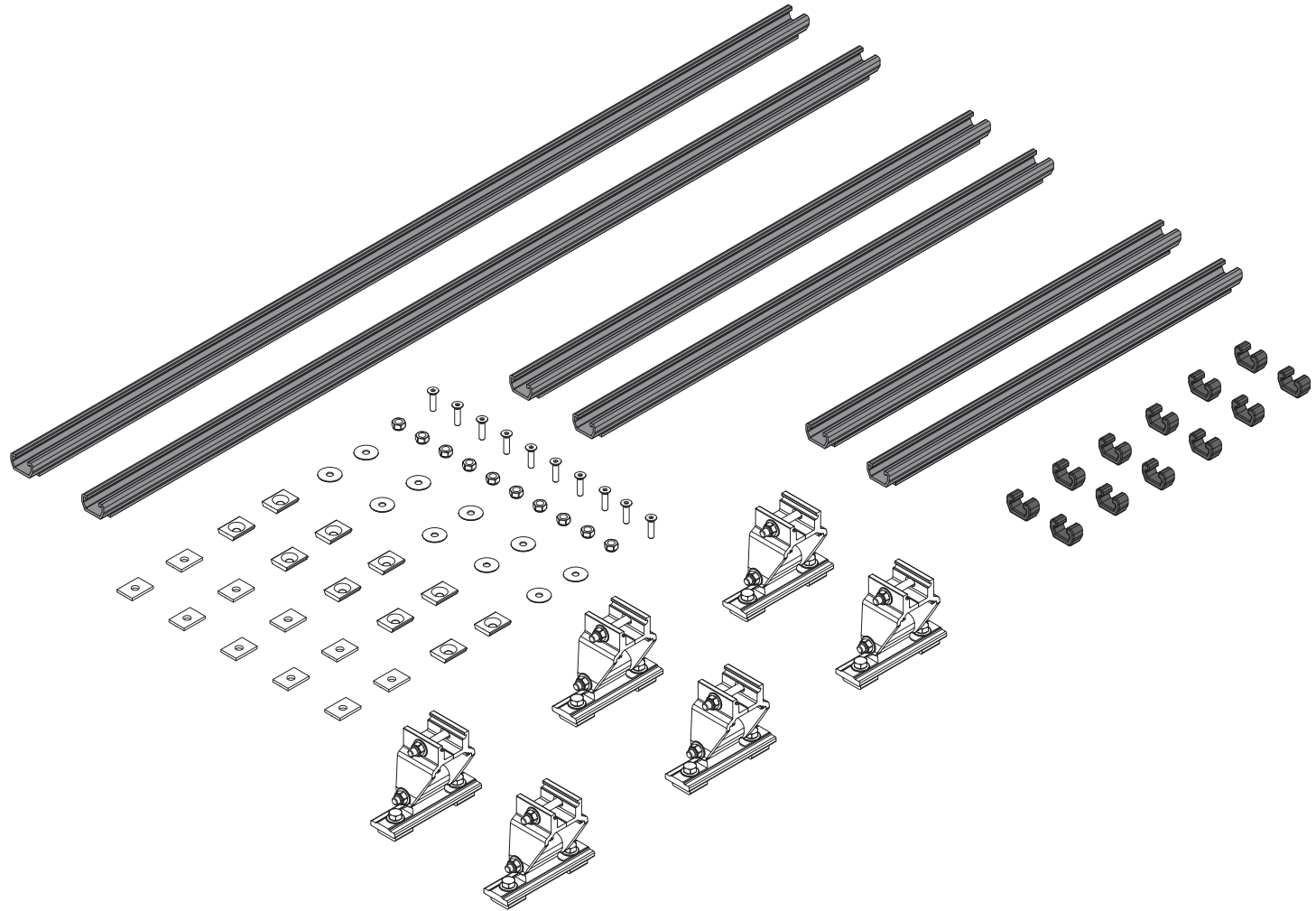
FBM-1012-BLK

2014+ Ford Transit Connect
Base Mount Module, L2H1
Dimensional Specifications on Page 2 & 3

Configuration as shown:

Three Crossbar Mounting, US Gen4
Finish: Black Powder Coat
CHL-1084-BLK 20" Channel
CHL-1085-BLK 44" Channel
CHL-1086-BLK 26" Channel
HKT-8052 Hardware, 3 Crossbars
Kit Weight: 15 lbs

*Three Crossbar Mountings



*Note: This Overview contains information covering two and three Crossbar configurations. If your model is a two Crossbar configuration, disregard all Center Crossbar Hardware and dimensions.

FBM-1012-BLK

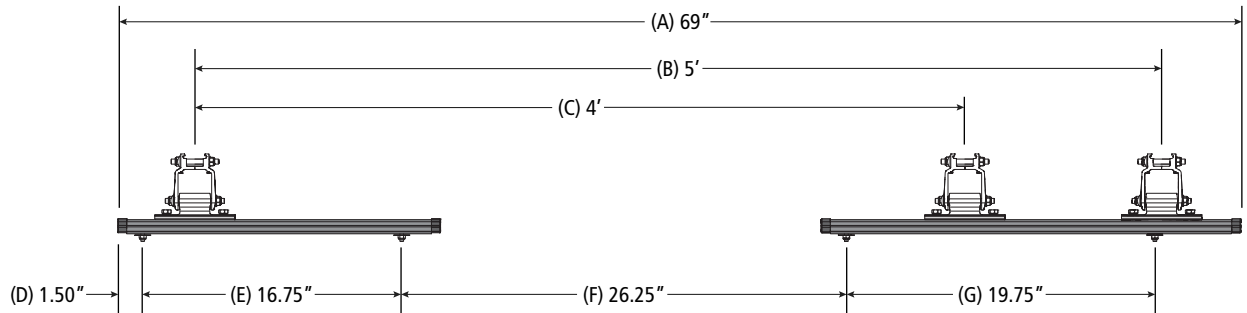
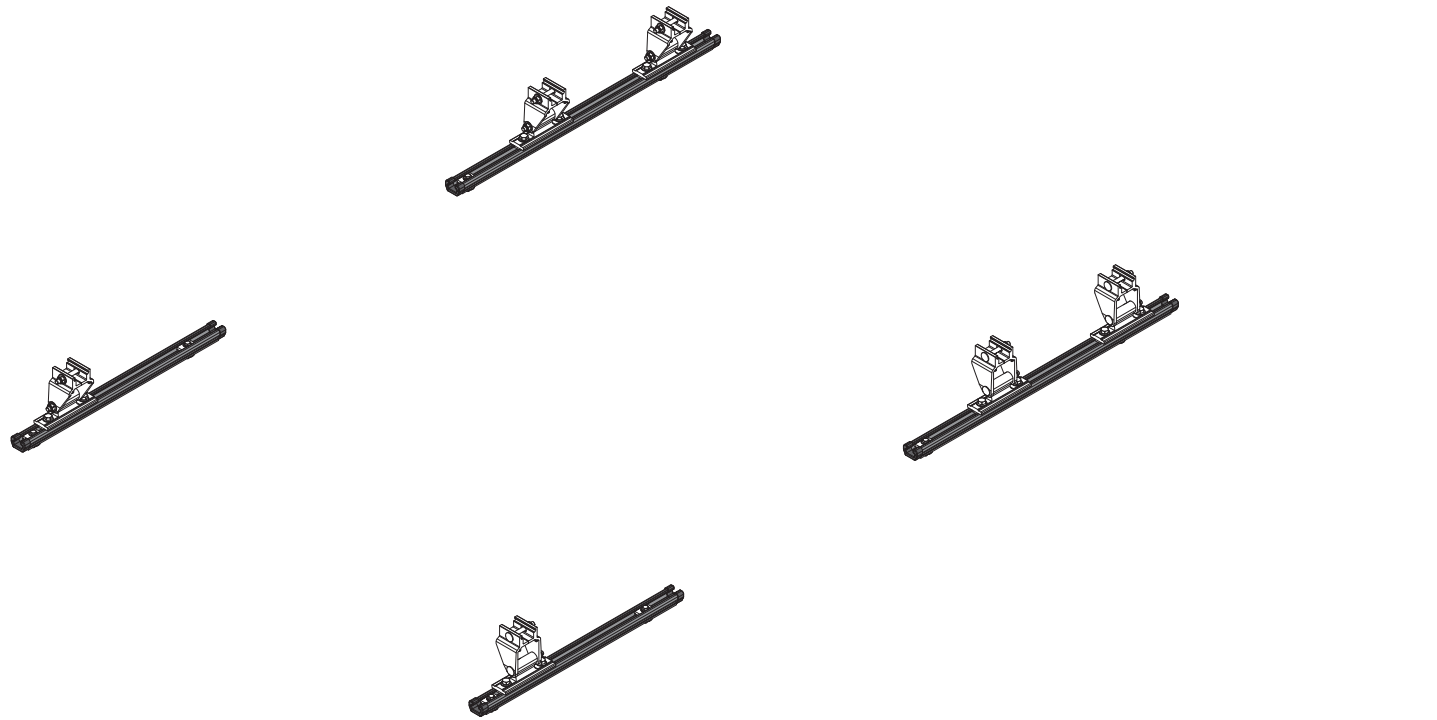
2014+ Ford Transit Connect Base Mount Module, L2H1

Approximate dimensions as shown:

CHL-1084-BLK 20" Channel (Rear)
 CHL-1086-BLK 26" Channel (Front)
 HKT-8052 Hardware, 3 Crossbars

- A: Overall Length..... 69"
- B: Crossbar Spacing R/F..... 5'
- C: Crossbar Spacing R/C 4'
- D: Rear Channel Mount Offset..... 1.50"
- E: Channel Mount Spacing (Rear) 16.75"
- F: Rear-Front Channel Mount Offset..... 26.25"
- G: Channel Mount Spacing (Front) 19.75"

*Not used: CHL-1085-BLK 44" Channel



*Note: This Overview contains information covering two and three Crossbar configurations. If your model is a two Crossbar configuration, disregard all Center Crossbar Hardware and dimensions.

Assembly Manual also available:

FBM-1012-BLK

USOV-FBM1012BLK-US01 Rev-B 0119

FBM-1012-BLK

2014+ Ford Transit Connect Base Mount Module, L2H1

Approximate dimensions as shown:

CHL-1084-BLK 20" Channel (Rear)
CHL-1085-BLK 44" Channel (Front)
HKT-8052 Hardware, 3 Crossbars

- A: Overall Length.....81.75"
- B: Crossbar Spacing R/F.....6'
- C: Crossbar Spacing R/C4'
- D: Rear Channel Mount Offset.....1.50"
- E: Channel Mount Spacing (Rear)15"
- F: Channel Mount Offset (Rear-Front).....22.75"
- G: Channel Mount Spacing (Mid).....21"
- H: Channel Mount Spacing (Front)19.75"

*Not used: CHL-1086-BLK 26" Channel

**Note: This Overview contains information covering two and three Crossbar configurations. If your model is a two Crossbar configuration, disregard all Center Crossbar Hardware and dimensions.*

Assembly Manual also available:

FBM-1012-BLK

USOV-FBM1012BLK-US01 Rev-B 0119

*L2H1 Configuration

