

PRIME DESIGN™

A Safe Fleet Brand



PRIME DESIGN RACK FBM-1008

2007+ Freightliner Sprinter w/o Factory Channel Base Mounting Kit

Page 2	Packaging Contents
Pages 3-7	ErgoRack (all wheelbases) & AluRack L2H2 (144.00")
Pages 8-11	AluRack L2H1 (144.00") & L3H2/L4H2 (170.00+")

PRIME DESIGN, A SAFE FLEET BRAND

Address: 580 Opperman Drive, Eagan, MN 55123 • Toll Free: 1.8.PRIME.RACK
Fax: 651-552-1799 • Email: info@primedesign.net • Website: www.primedesign.net

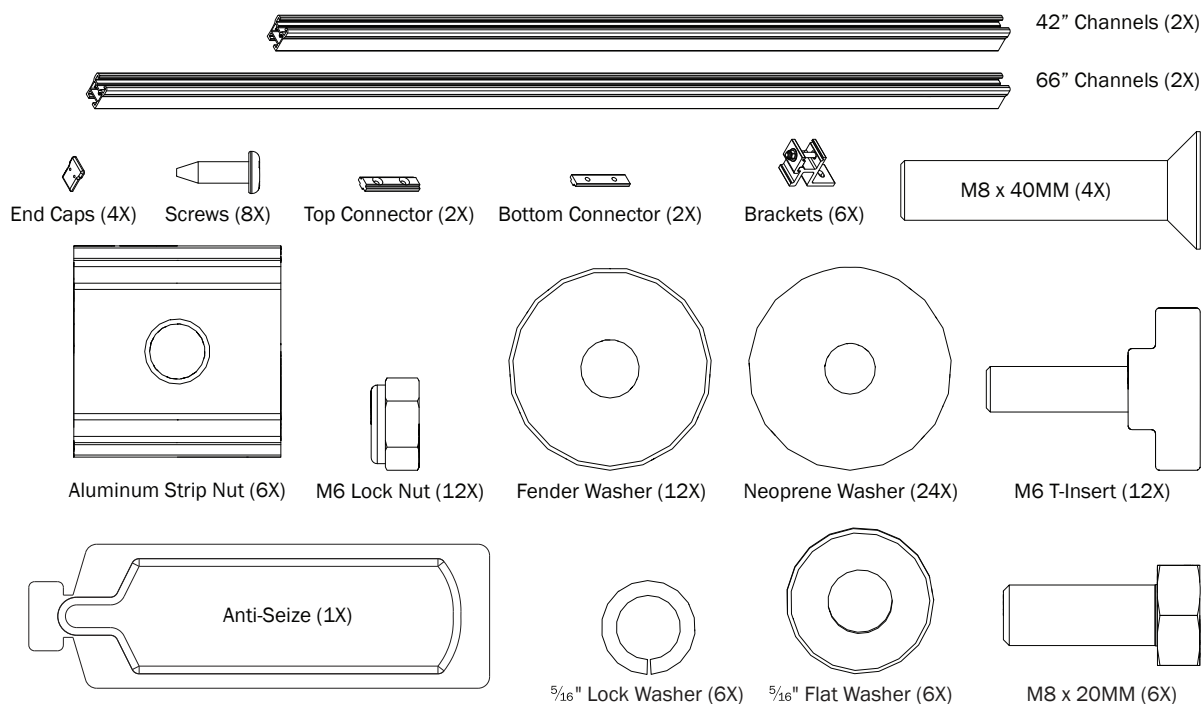
CONTENTS OVERVIEW

TWO & THREE CROSSBAR CONFIGURATIONS

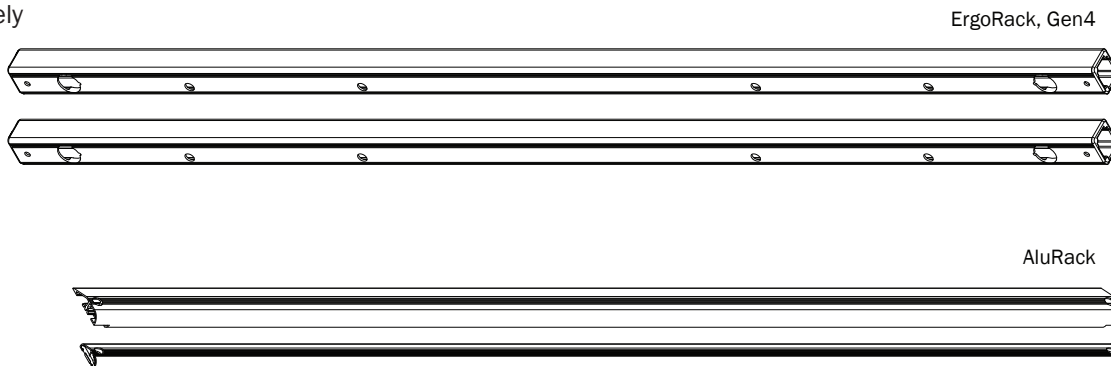
NOTE: This Manual contains information covering two and three Crossbar configurations. If your model is a two Crossbar configuration, disregard all Center Crossbar installation information.



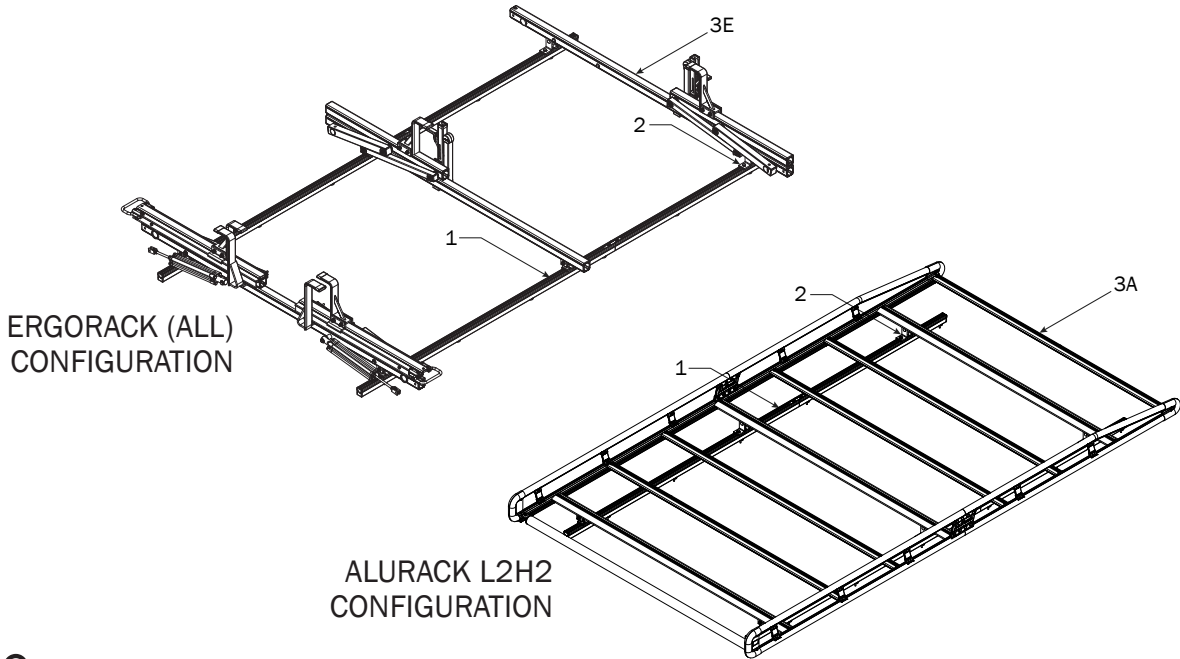
1—FBM-1008-BLK-BLK..... (Qty 1)
Channels, 108" w/Hardware Kit



2—Crossbars (shown for illustrative purposes only)
Ordered separately



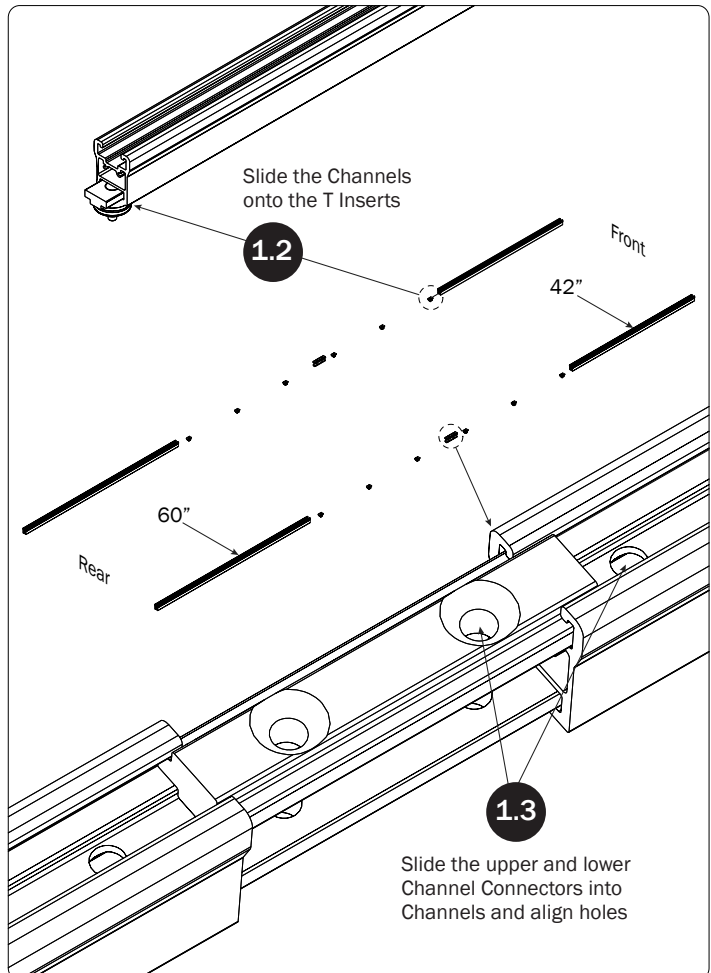
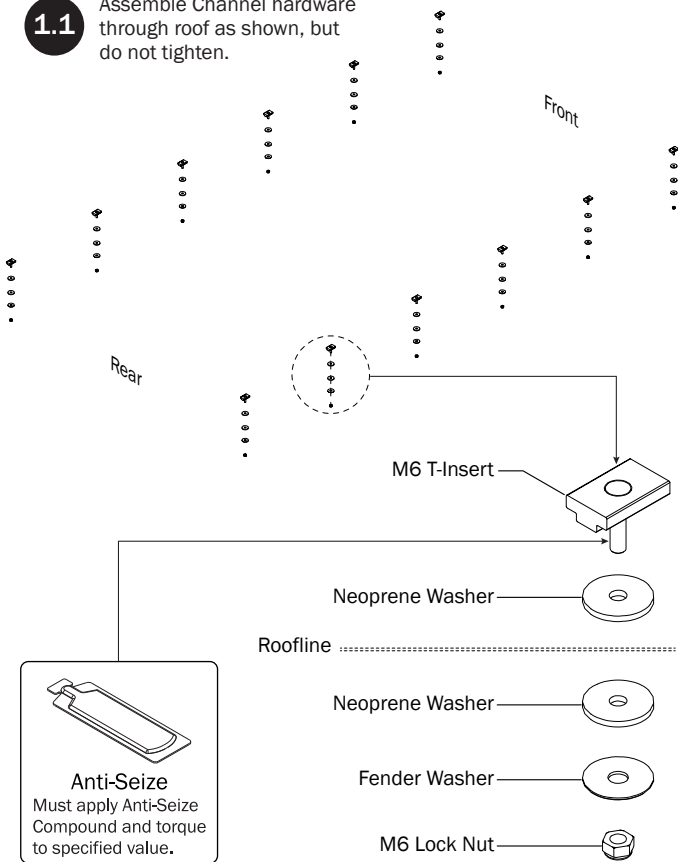
ASSEMBLY SEQUENCES:
L2H2 ALURACK (144.00")
ALL ERGORACK WHEELBASES (144.00"-170.00")



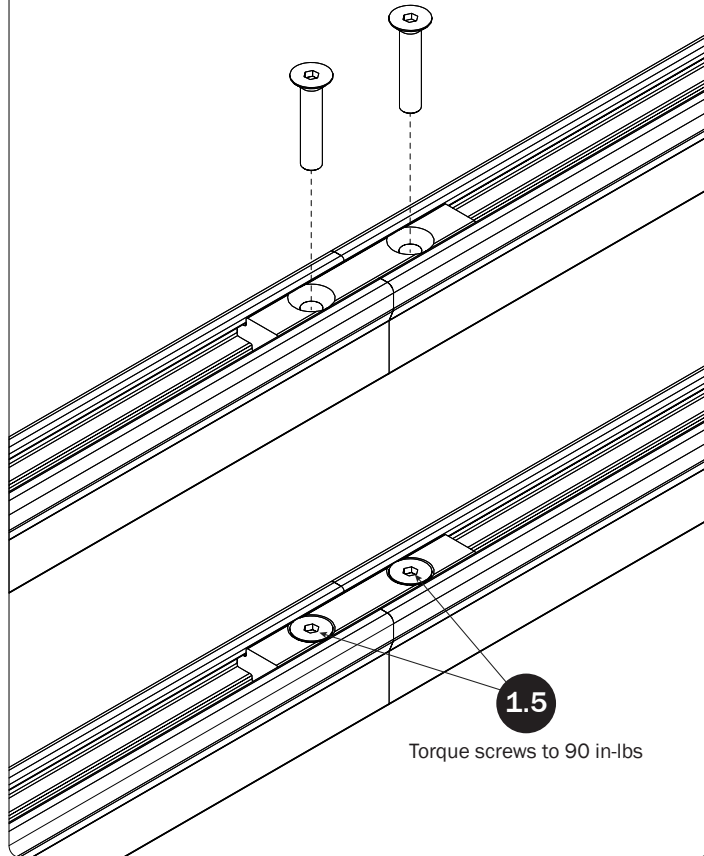
NOTE: Base, Rotation, Crossbar, and Side Rail features are shown for illustrative purposes only. These features are not included with this Base Mounting Kit, and must be purchased separately.

STIFF CHANNELS

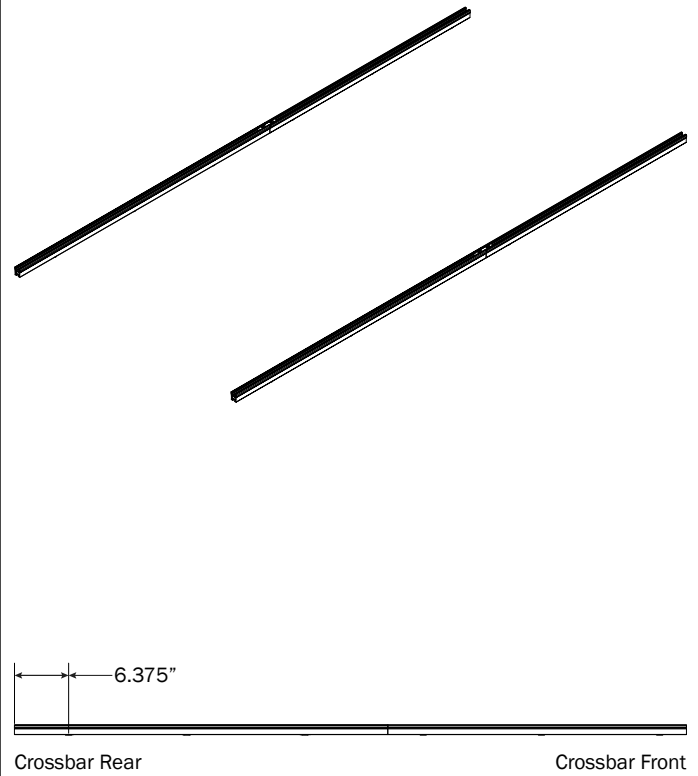
1.1 Assemble Channel hardware through roof as shown, but do not tighten.



1.4 Screw the M8 x 40MM Allen Head bolts into the Upper and Lower Channel Splices. Due to tight manufacturing tolerances, both bolts must remain loose until Step 1.5

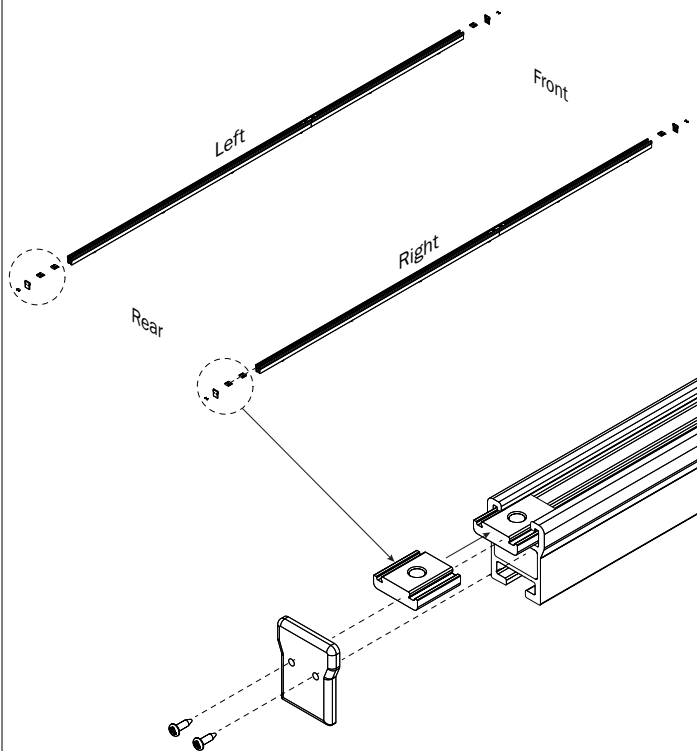


1.6 Set to specified distances shown below, then torque Mounting hardware nuts to 80 in-lbs.

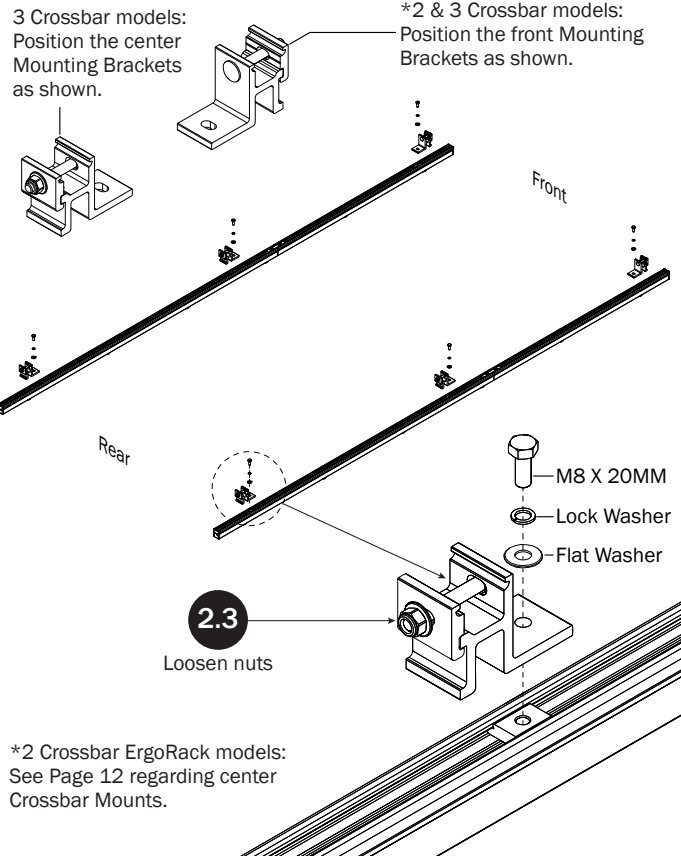


MOUNTING BRACKETS

2.1 Slide the Aluminum Strip Nuts into each end of the Channels, and attach the Channel Caps



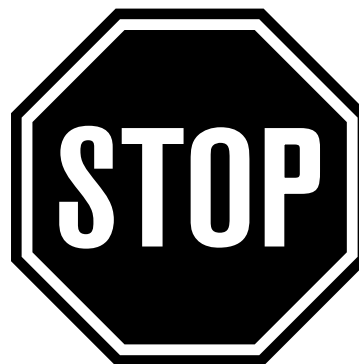
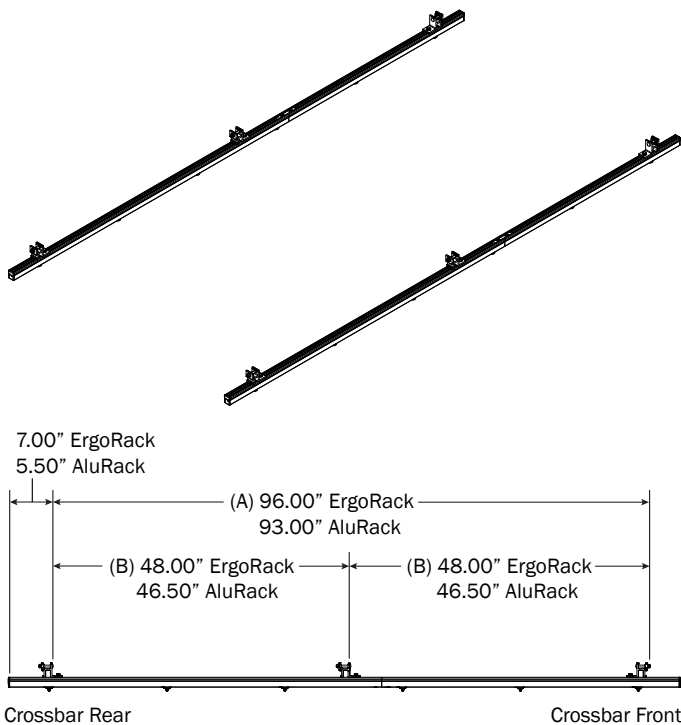
2.2 Using the supplied fastening hardware, attach the Crossbar Mounting Brackets into the Aluminum Strip Nuts placed into the Channels at Step 2.1



2.4

Set to distances shown below:
Use Dimensions A for 2 Crossbar models.
Use Dimensions B for 3 Crossbar models.

Do not torque the Crossbar Mounting Brackets until Step 3.4. Finger-tighten them into designated dimension to hold them in place, then proceed to your Feature (FEA/AR) Assembly Manual.



Do not mount the Crossbars to this FBM system at this time.

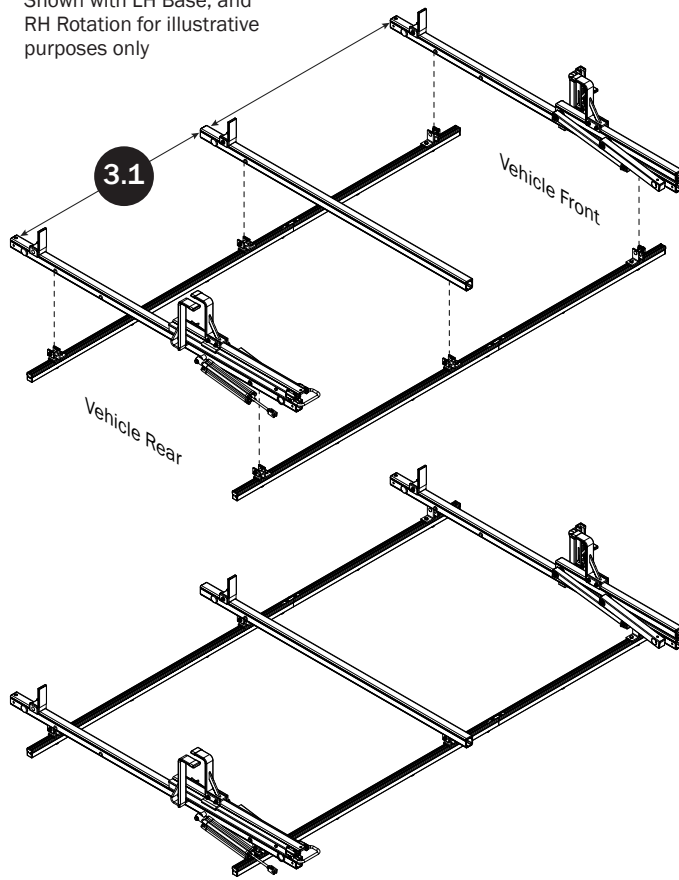
Refer to the respective FEA or AR Assembly Manual(s) included with your chosen rack configuration features. Depending upon the features chosen, you may need to perform a complete feature assembly onto the Crossbars or Side Rails as noted in that feature's Assembly Manual.

WARNING: Failure to position the Crossbars as shown in this FBM Assembly Manual may result in damage to the sliding door and/or ladder rack.

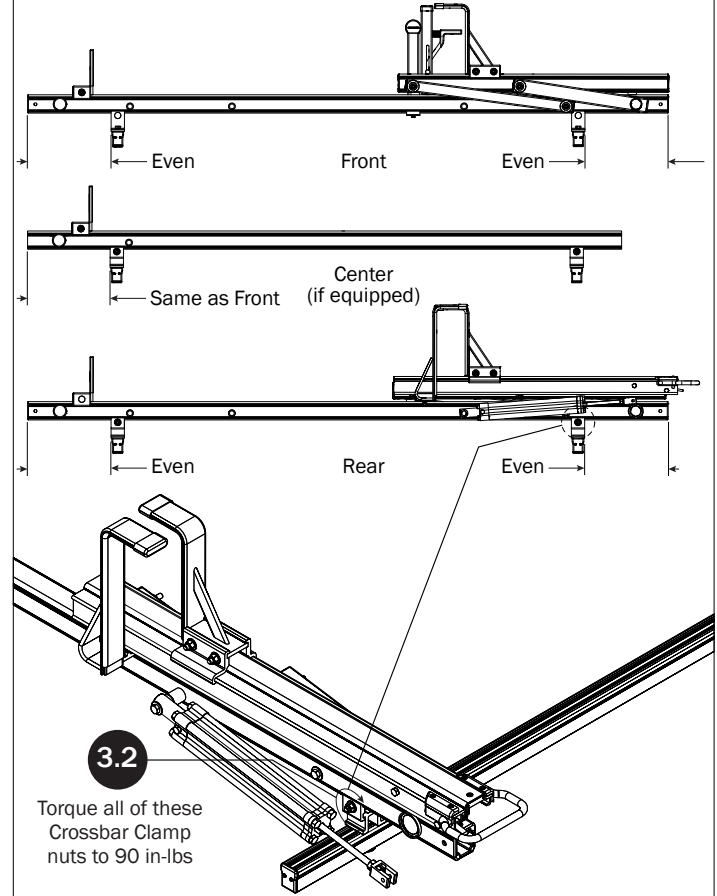
NOTE: Crossbars, Side Rails, Base, Clamp Down, or Rotation features are not included in this FBM kit, and must be purchased separately. To purchase applicable features and accessories, please contact your authorized distributor, or a Prime Design Sales & Service Representative.

CROSSBARS (ALL ERGORACK)

Shown with LH Base, and RH Rotation for illustrative purposes only



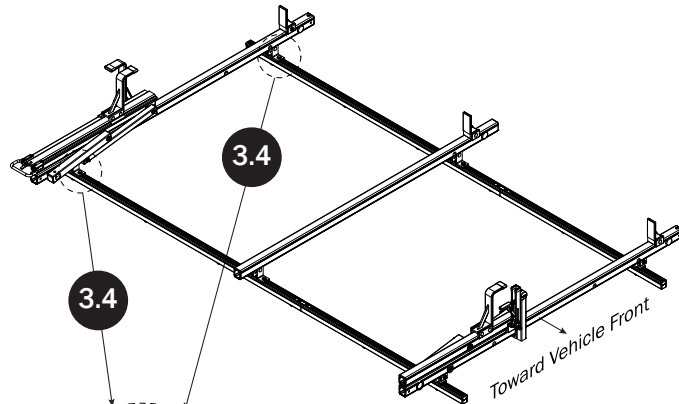
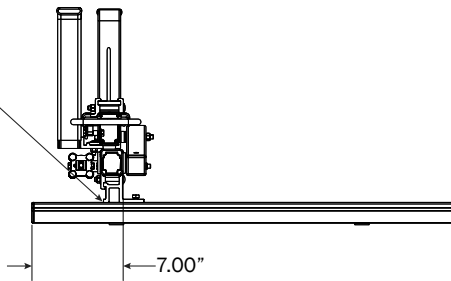
CROSSBAR ADJUSTMENT



Torque all of these Crossbar Clamp nuts to 90 in-lbs

3.3

Verify the specified distance from the ends of both Mounting Bracket to the ends of both Channels.

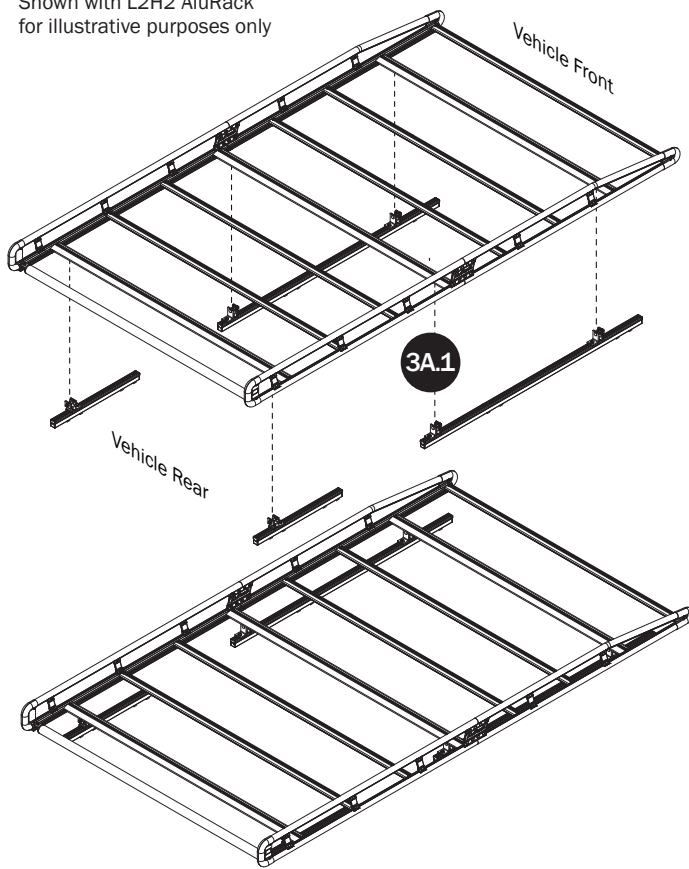


Torque only the Rear Crossbar Mounting Bracket bolts to 90 in-lbs at this time.

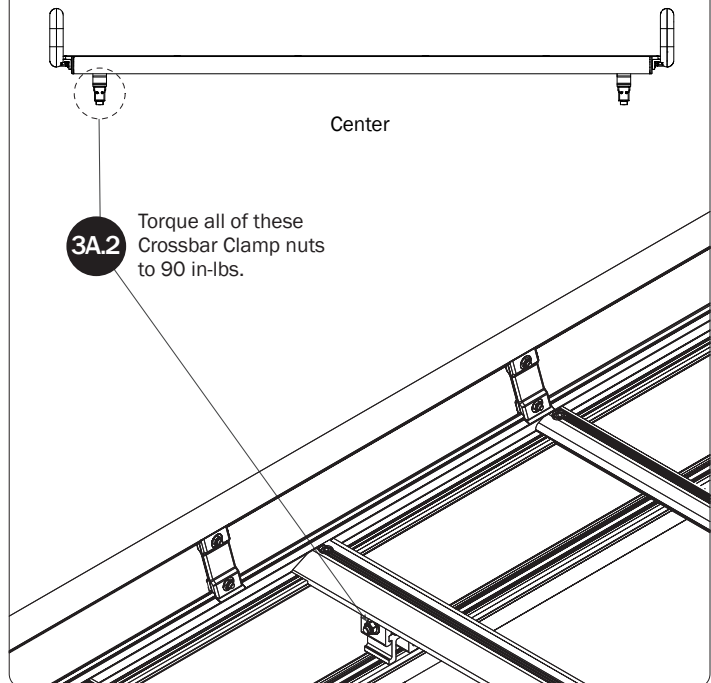
The Center (if equipped) and Front Crossbar Mounting Brackets will be torqued to specification when designated in the respective Feature (FEA) Assembly Manual.

CROSSBARS (ALURACK)

Shown with L2H2 AluRack
for illustrative purposes only



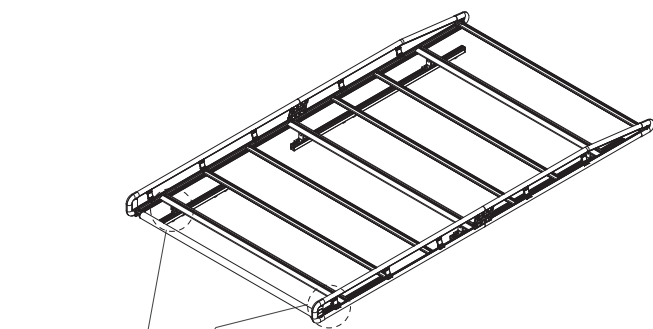
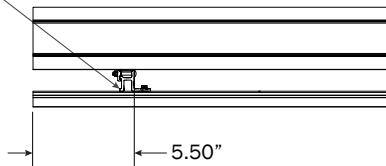
CROSSBAR ADJUSTMENT



Torque all of these
Crossbar Clamp nuts
to 90 in-lbs.

3A.3

Verify the specified
distance from the
ends of both Mounting
Bracket to the ends of
both Channels.



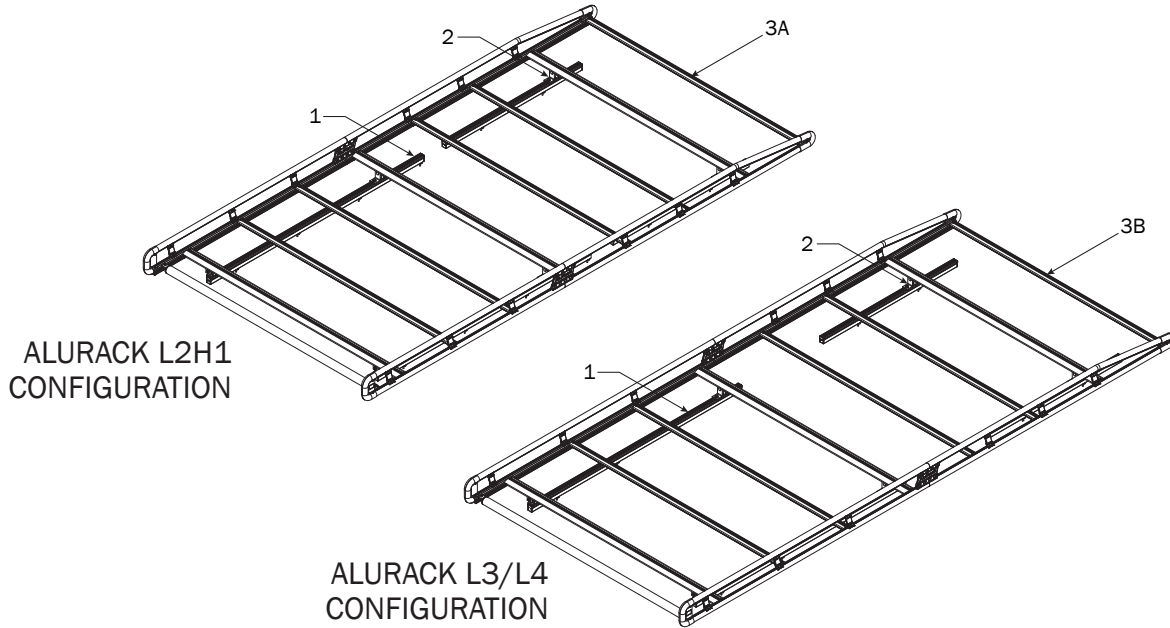
3A.4

Torque all Crossbar Mounting
Bracket bolts to 90 in-lbs at
this time.

ASSEMBLY SEQUENCES

L2H1 ALURACK (144.00")

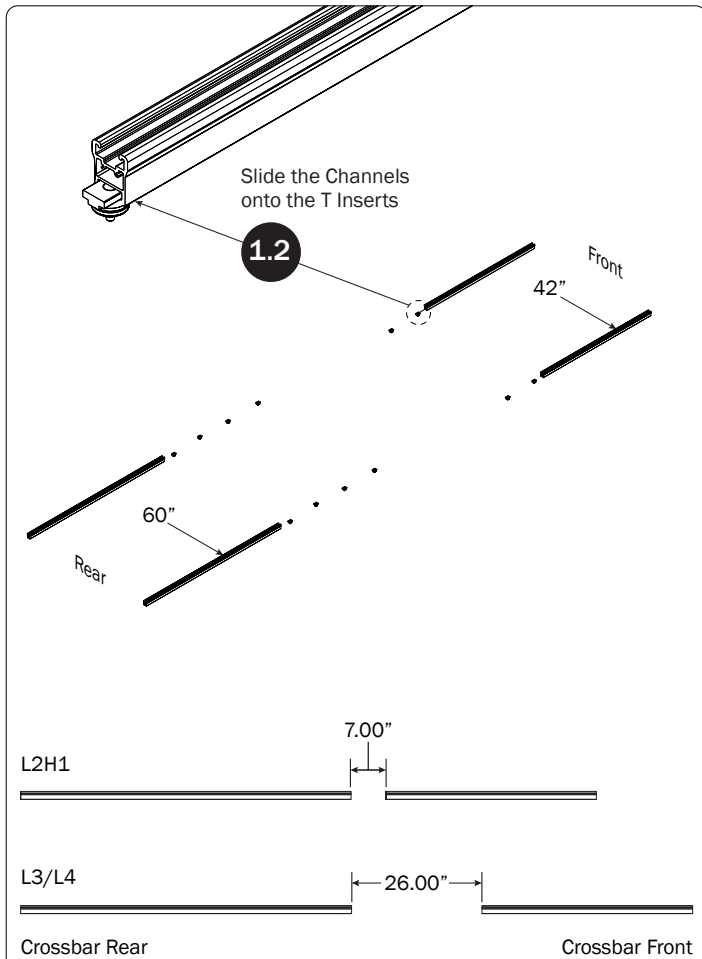
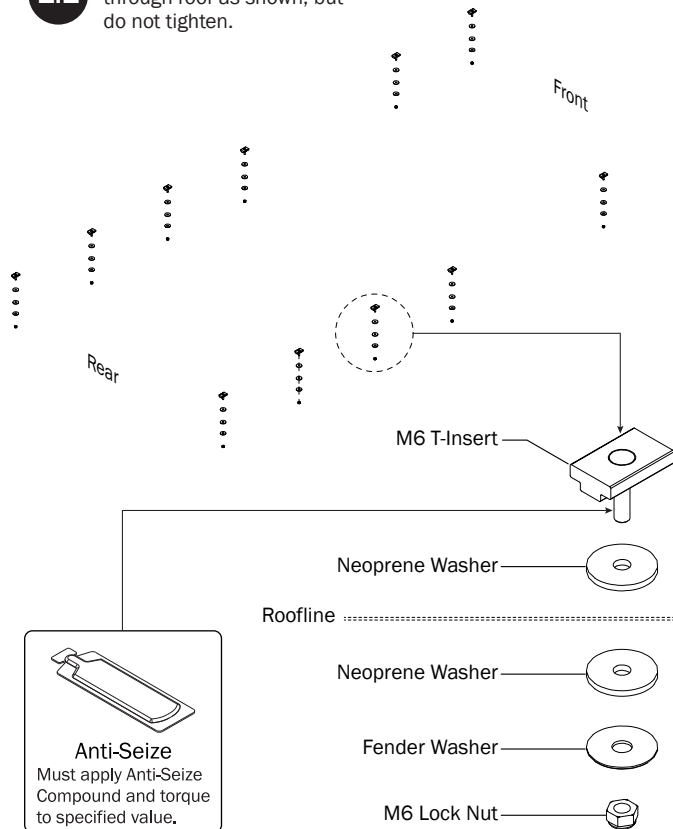
L3H2-L4H2 ALURACK (170.00+")



NOTE: Base, Rotation, Crossbar, and Side Rail features are shown for illustrative purposes only. These features are not included with this Base Mounting Kit, and must be purchased separately.

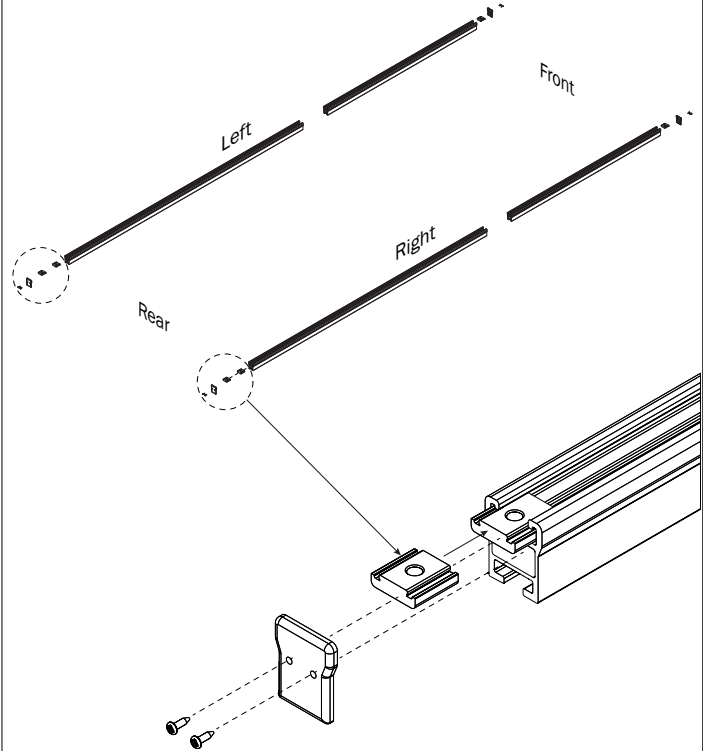
STIFF CHANNELS

1.1 Assemble Channel hardware through roof as shown, but do not tighten.

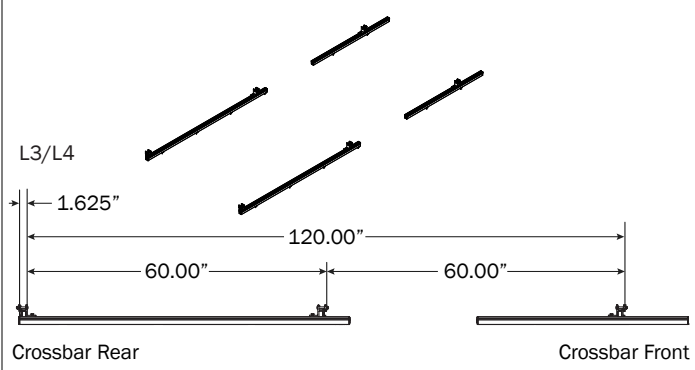
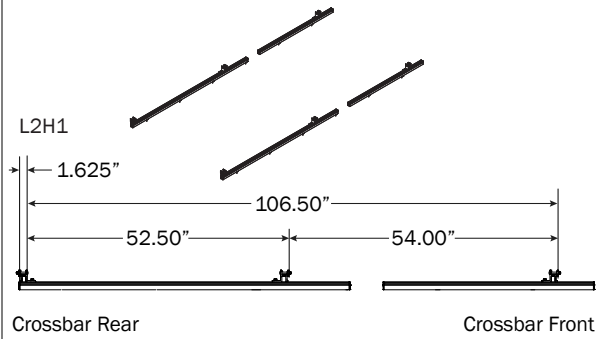


MOUNTING BRACKETS

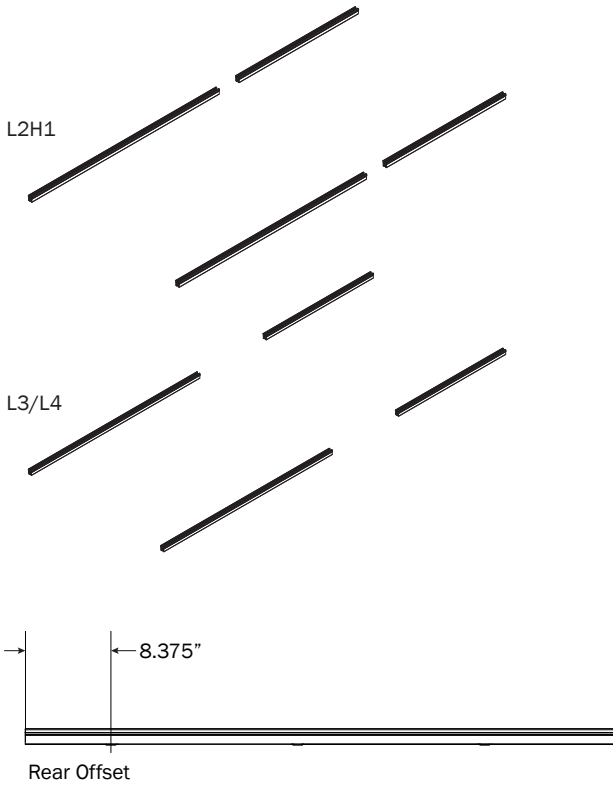
2.1 Slide the Aluminum Strip Nuts into each end of the Channels, and attach the Channel Caps



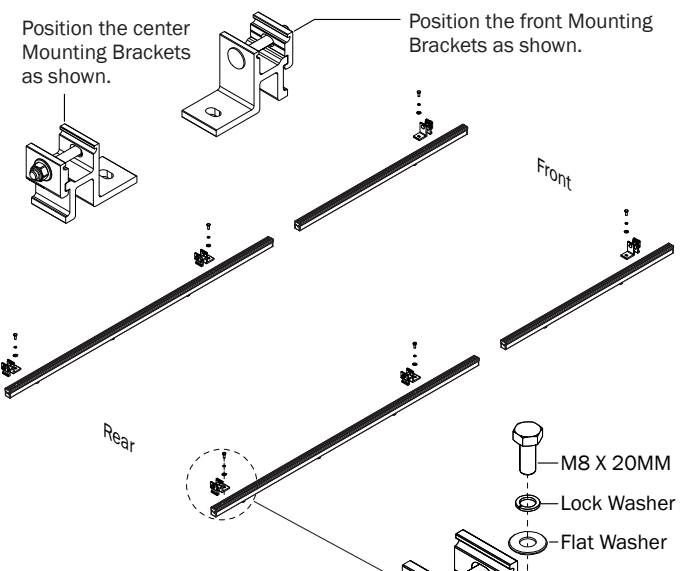
2.4 Set to distances shown below. Do not torque the Crossbar Mounting Brackets until Step 3.4. Finger-tighten them into designated dimension to hold them in place, then proceed to your Feature (FEA/AR) Assembly Manual.



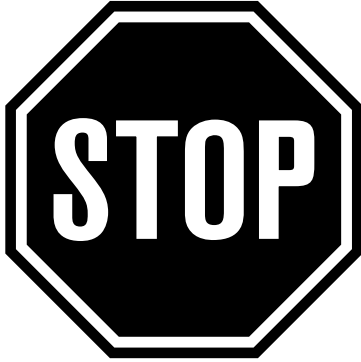
1.3 Set to specified distances shown below, then torque Mounting hardware nuts to 80 in-lbs.



2.2 Using the supplied fastening hardware, attach the Crossbar Mounting Brackets into the Aluminum Strip Nuts placed into the Channels at Step 2.1 (L2H1 shown as an example).



2.3
Loosen nuts



Do not mount the Crossbars to this FBM system at this time.

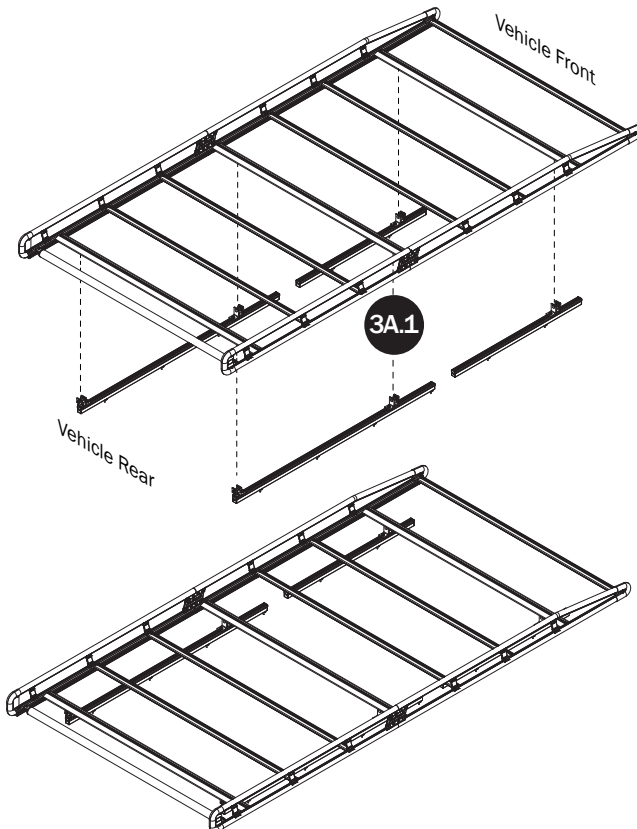
Refer to the respective FEA or AR Assembly Manual(s) included with your chosen rack configuration features. Depending upon the features chosen, you may need to perform a complete feature assembly onto the Crossbars or Side Rails as noted in that feature's Assembly Manual.

WARNING: Failure to position the Crossbars as shown in this FBM Assembly Manual may result in damage to the sliding door and/or ladder rack.

NOTE: Crossbars, Side Rails, Base, Clamp Down, or Rotation features are not included in this FBM kit, and must be purchased separately. To purchase applicable features and accessories, please contact your authorized distributor, or a Prime Design Sales & Service Representative.

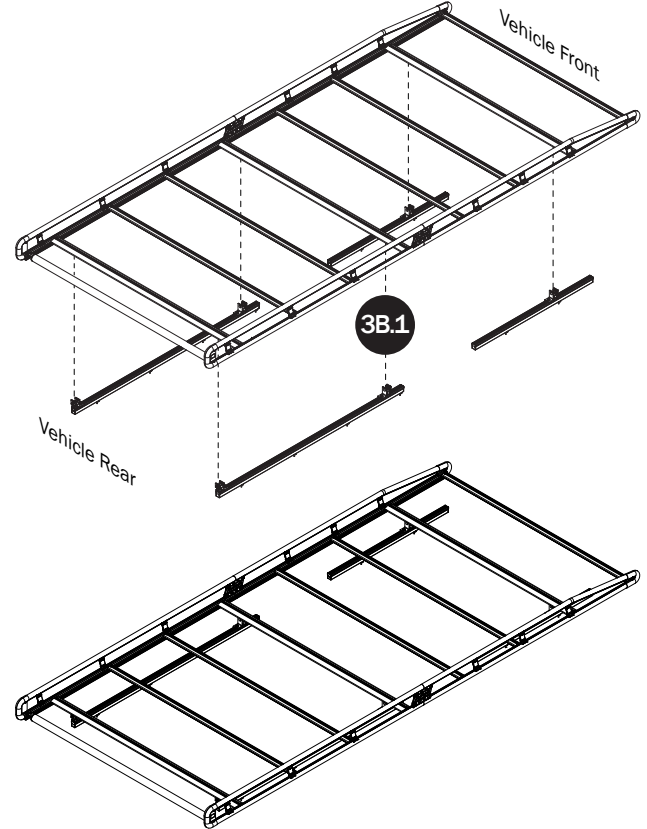
CROSSBARS (L2H1)

Shown with L3 AluRack
for illustrative purposes only

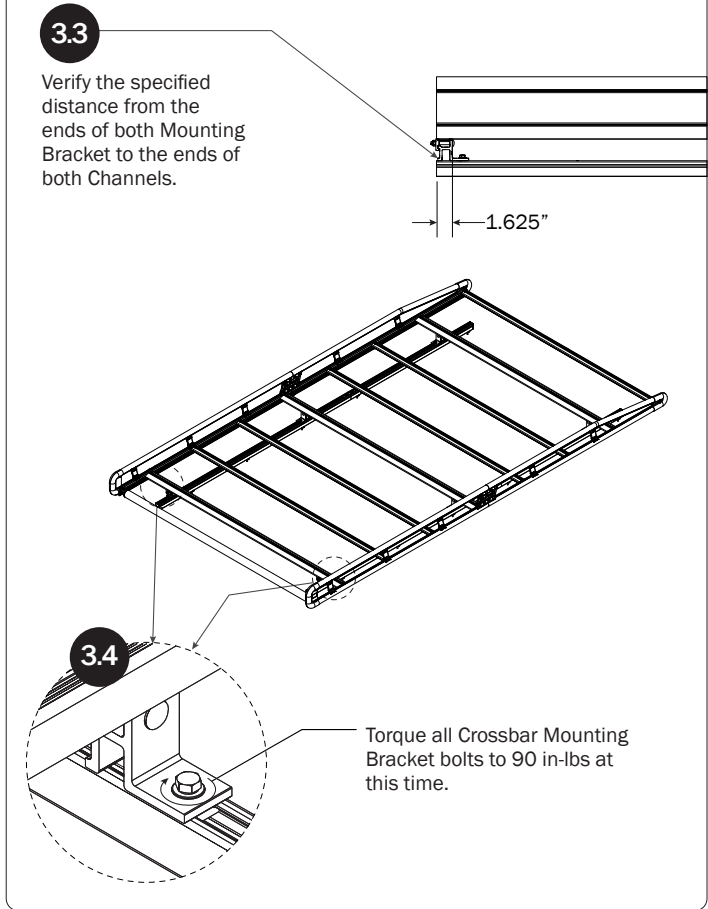
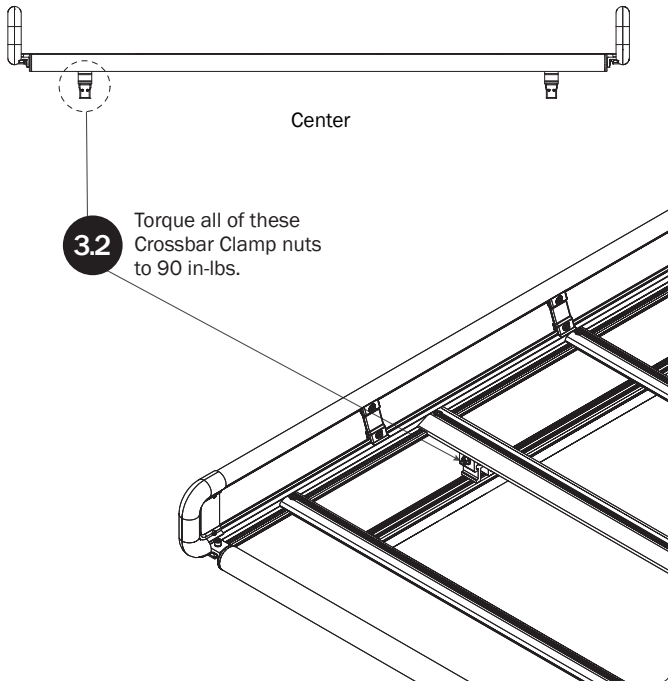


CROSSBARS (L3/L4)

Shown with L4 AluRack
for illustrative purposes only

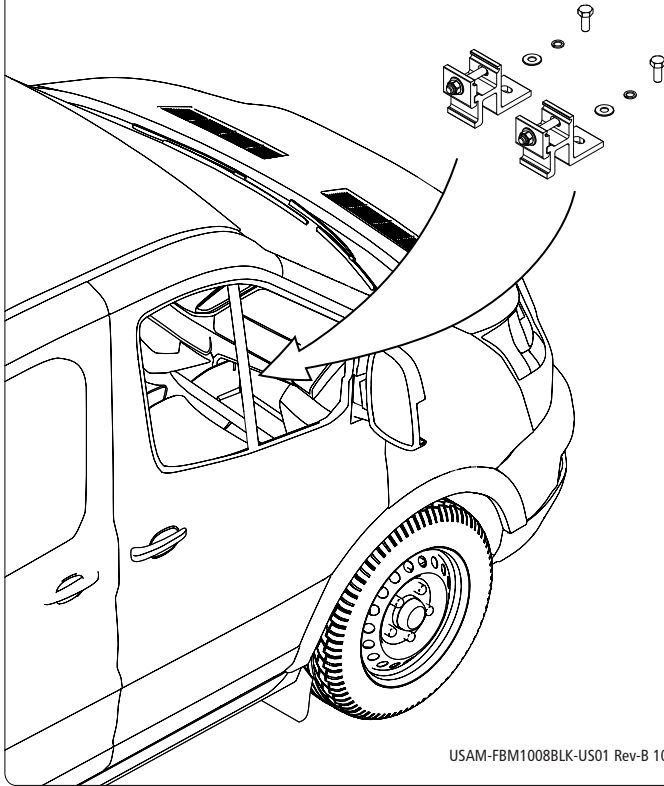


CROSSBAR ADJUSTMENT



CENTER CROSSBAR MOUNTS
FOR 2 CROSSBAR ERGORACK MODELS ONLY

Place the center Crossbar Mounts into the vehicle's glove box for future use.



USAM-FBM1008BLK-US01 Rev-B 1019