

FBM-1007-BLK

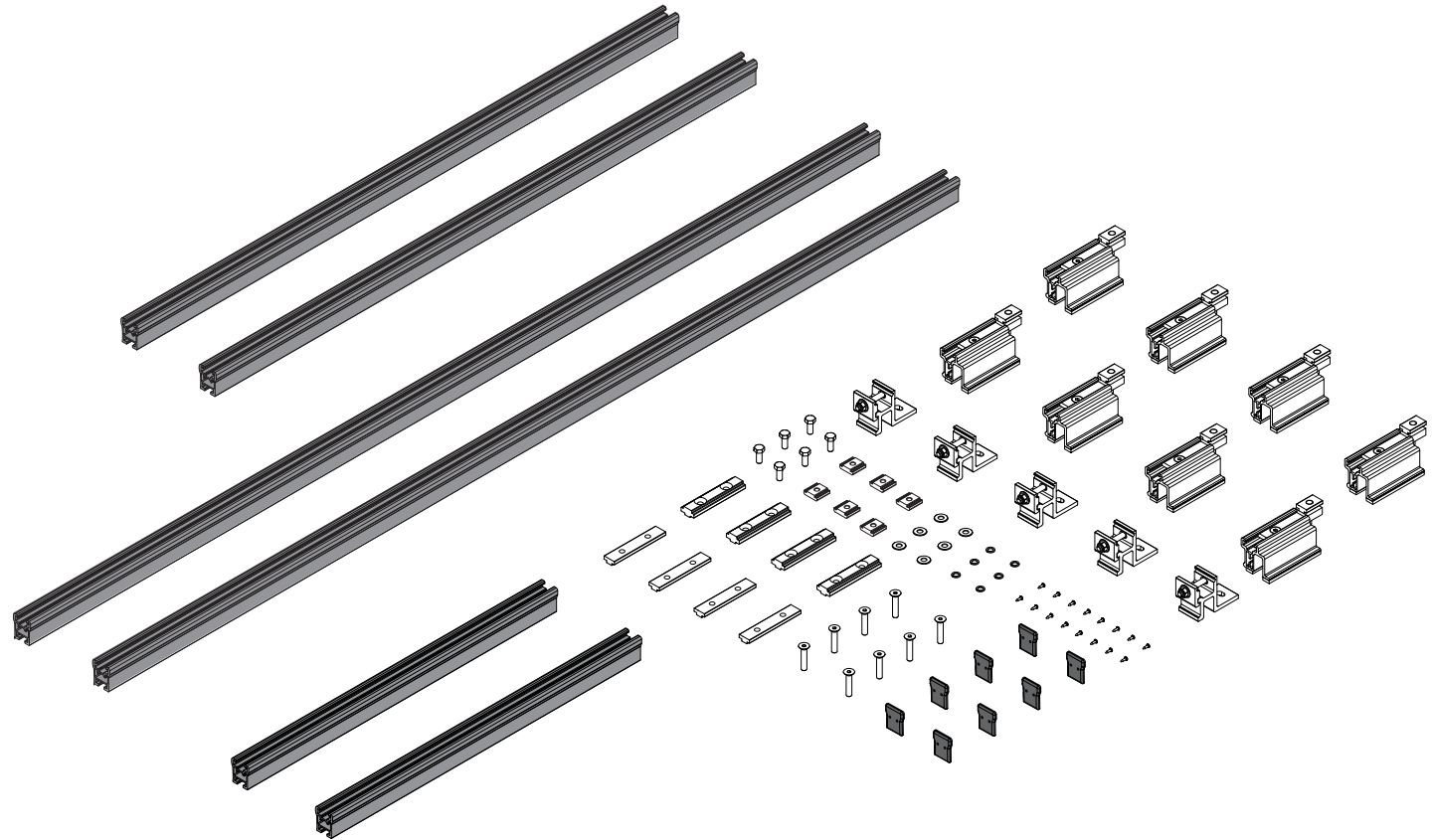
Ram ProMaster Base Mount Module

Dimensional Specifications on Pages 2-5

Configuration as shown:

Three Crossbar Mountings, US Gen4
Finish: Black Powder Coat
CHL-1026-BLK 26" Channel
CHL-1042-BLK 42" Channel
CHL-1067-BLK 24" Mid Splice
HKT-8045 Hardware, 3 Crossbars
Kit Weight: 28 lbs

*Three Crossbar Mountings



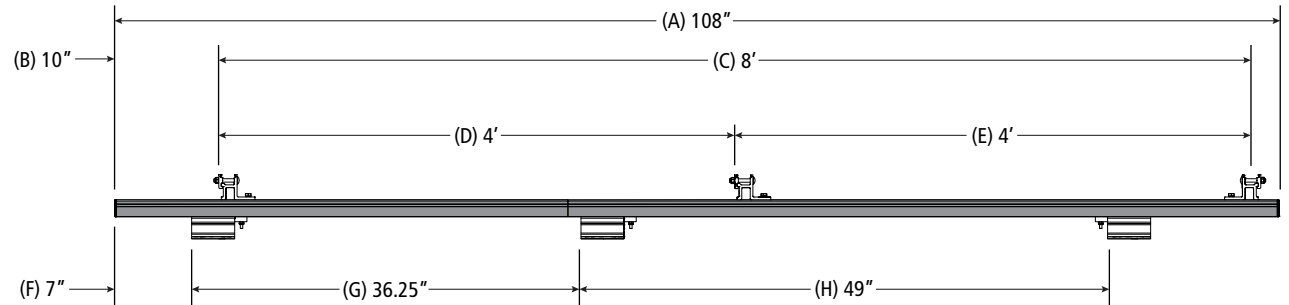
**Note: This Overview contains information covering two and three Crossbar configurations. If your model is a two Crossbar configuration, disregard all Center Crossbar Hardware and dimensions.*

FBM-1007-BLK

Ram ProMaster Base Mount Module

Approximate dimensions as shown:

A: Rack Length.....	108"
B: Channel Mount Offset (Rear-Alt).....	10"
C: Maximum Crossbar Spacing	8'
D: Crossbar Spacing R/C	3'-4'
E: Crossbar Spacing C/F	2'-4"
F: Channel Mount Offset (Rear)	7"
G: Mount Spacing R/F (Rear).....	36.25"
H: Mount Spacing R/F (Front).....	49"



*Note: This Overview contains information covering two and three Crossbar configurations. If your model is a two Crossbar configuration, disregard all Center Crossbar Hardware and dimensions.

Assembly Manual also available:

FBM-1007-BLK

USOV-FBM1007BLK-US01 Rev-A 0119

FBM-1007-BLK

Ram ProMaster Base Mount Module

Approximate dimensions as shown:

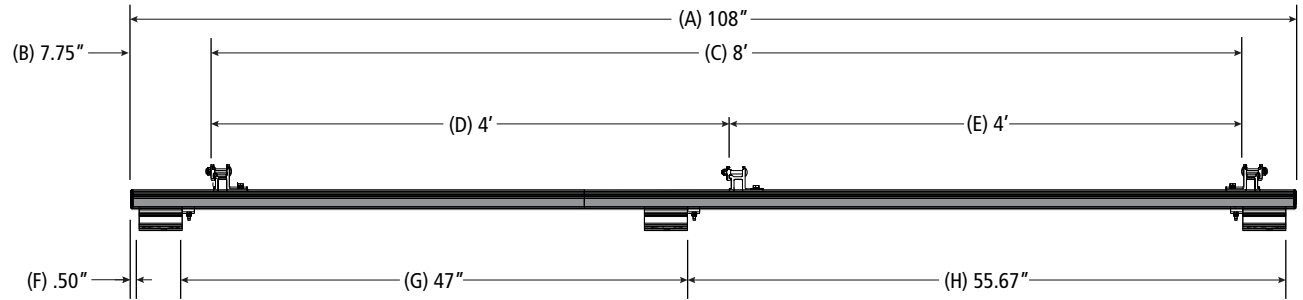
- A: Rack Length..... 108"
- B: Channel Mount Offset (Rear-Alt)..... 7.75"
- C: Maximum Crossbar Spacing 8'
- D: Crossbar Spacing R/C 4'
- E: Crossbar Spacing C/F 4'
- F: Channel Mount Offset (Rear) 0.50"
- G: Mount Spacing R/F (Rear)..... 47"
- H: Mount Spacing R/F (Front)..... 55.67"

**Note: This Overview contains information covering two and three Crossbar configurations. If your model is a two Crossbar configuration, disregard all Center Crossbar Hardware and dimensions.*

Assembly Manual also available:

FBM-1007-BLK

**Dimensions shown for MWB models (136")*

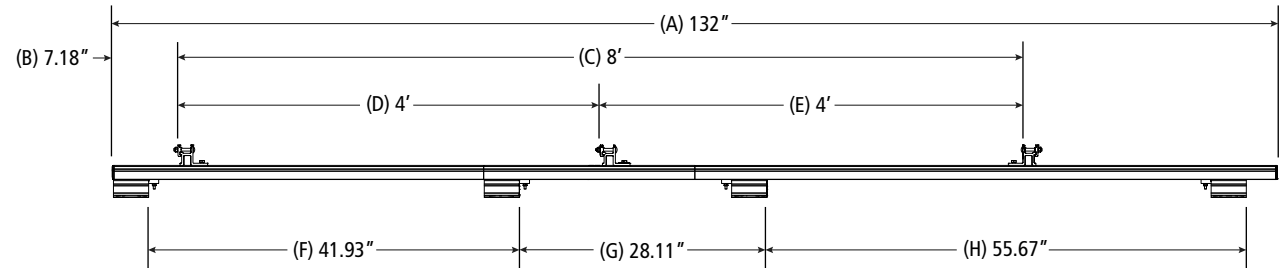


FBM-1007-BLK

Ram ProMaster Base Mount Module

Approximate dimensions as shown:

A: Rack Length.....	132"
B: Channel Mount Offset (Rear-Alt).....	7.18"
C: Maximum Crossbar Spacing	8'
D: Crossbar Spacing R/C	4'
E: Crossbar Spacing C/F.....	4'
F: Mount Spacing R/F (Rear)	41.93"
G: Mount Spacing R/F (Mid).....	28.11"
H: Mount Spacing R/F (Front).....	55.67"



*Note: This Overview contains information covering two and three Crossbar configurations. If your model is a two Crossbar configuration, disregard all Center Crossbar Hardware and dimensions.

Assembly Manual also available:

FBM-1007-BLK

USOV-FBM1007BLK-US01 Rev-A 0119

FBM-1007-BLK

Ram ProMaster Base Mount Module

Approximate dimensions as shown:

- A: Rack Length..... 148"
- B: Channel Mount Offset (Rear-Alt).....7.75"
- C: Maximum Crossbar Spacing8'
- D: Crossbar Spacing R/C4'
- E: Crossbar Spacing C/F4'
- F: Channel Mount Offset (Rear)0.50"
- G: Mount Spacing R/F (Rear)..... 56.30"
- H: Mount Spacing R/F (Mid).....28.11"
- I: Mount Spacing R/F (Front)55.67"

**Note: This Overview contains information covering two and three Crossbar configurations. If your model is a two Crossbar configuration, disregard all Center Crossbar Hardware and dimensions.*

Assembly Manual also available:

FBM-1007-BLK

**Dimensions shown for LWB-EL models (159"+)*

