

CBR-0023

Middle Crossbar Module

Dimensional Specifications on Page 2

Configuration as shown:

Rotation Left, Powder Coat Finish

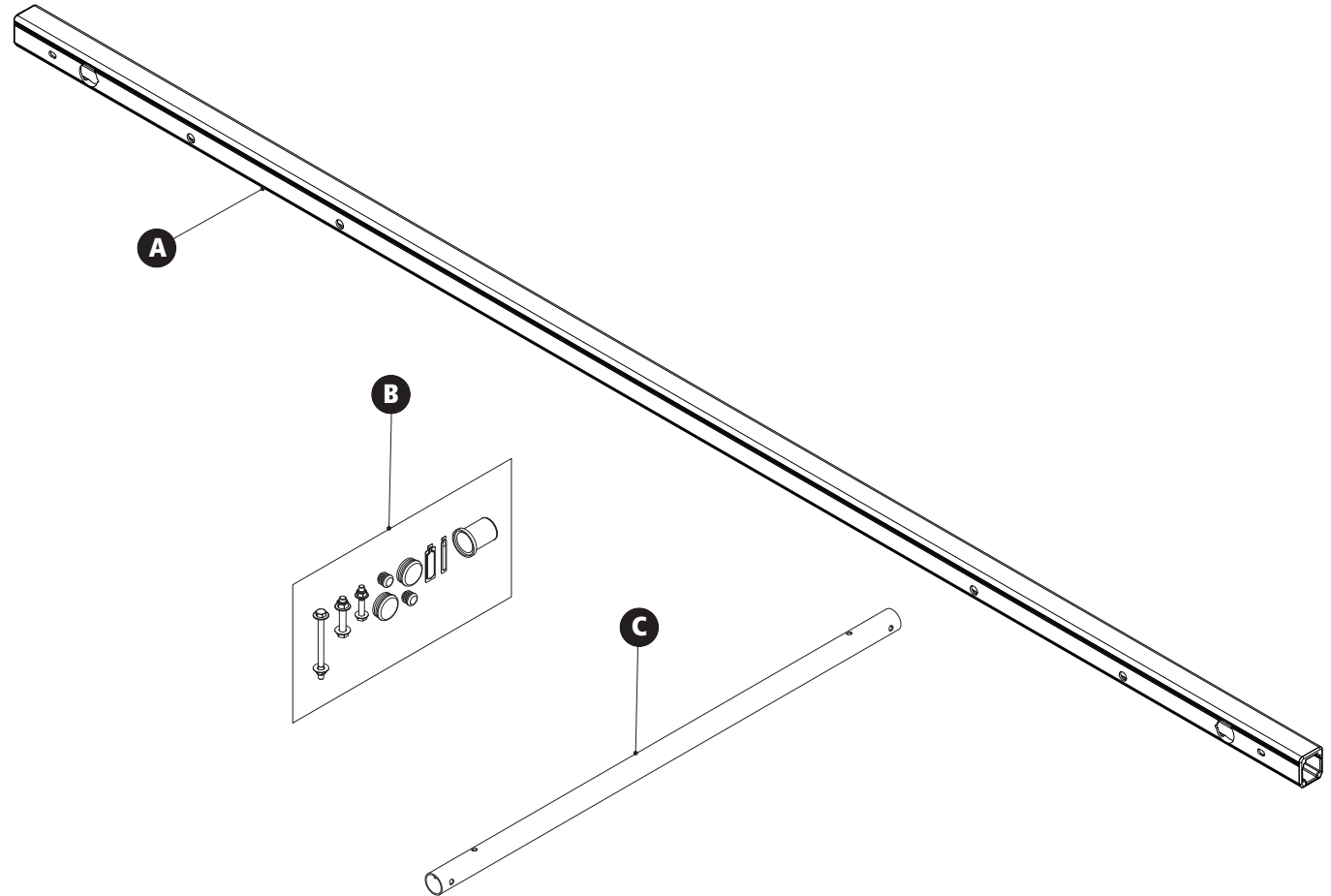
Weight: 16 lbs

A:CBR-1311-99 Middle Crossbar

B: HKT-8407 Hardware Kit

C:ELR-1203 3' Connecting Bar Feature

[Modular Assembly Manuals](#)

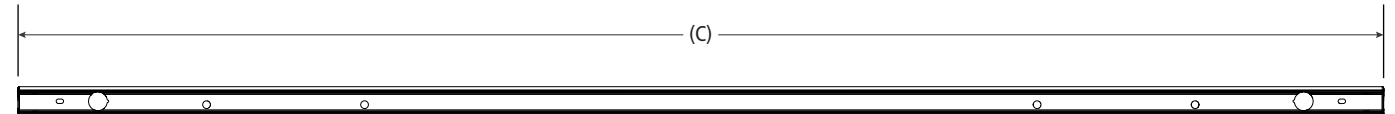
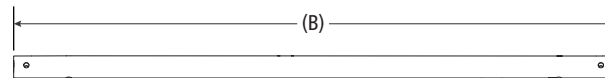
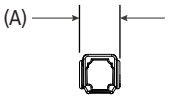
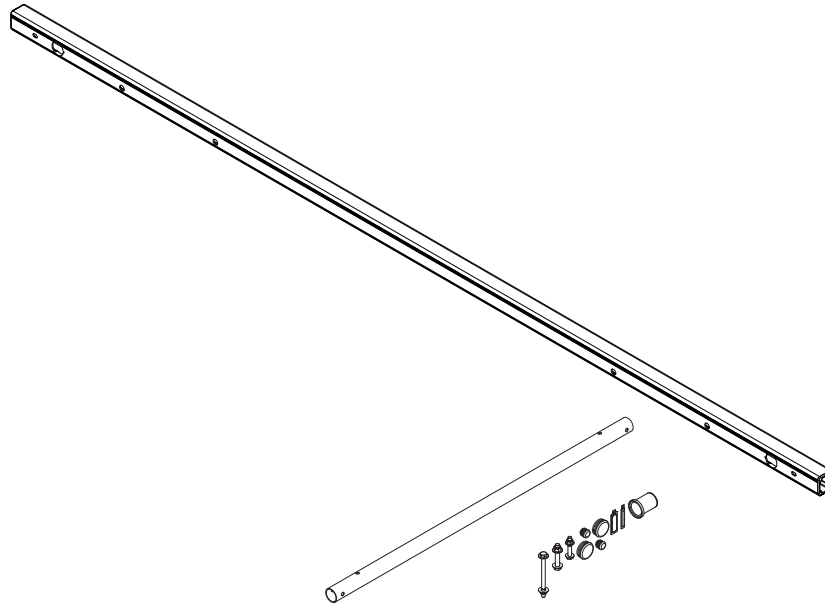


CBR-0023

Middle Crossbar Module

Approximate dimensions as shown:

- A: Crossbar Width 1.75"
- B: Connecting Bar Length 35.50"
- C: Crossbar Length 99"



**Note: Mounting Hardware purchased separately. For more information, please contact Sales & Support.*

Assembly Manual also available:

[CBR-0023](#)

USOV-CBR0023-US01 Rev-A 0220