

## CBR-0017

### Middle Crossbar Module

Dimensional Specifications on Page 2

*Configuration as shown:*

Rotation Left, Powder Coat Finish

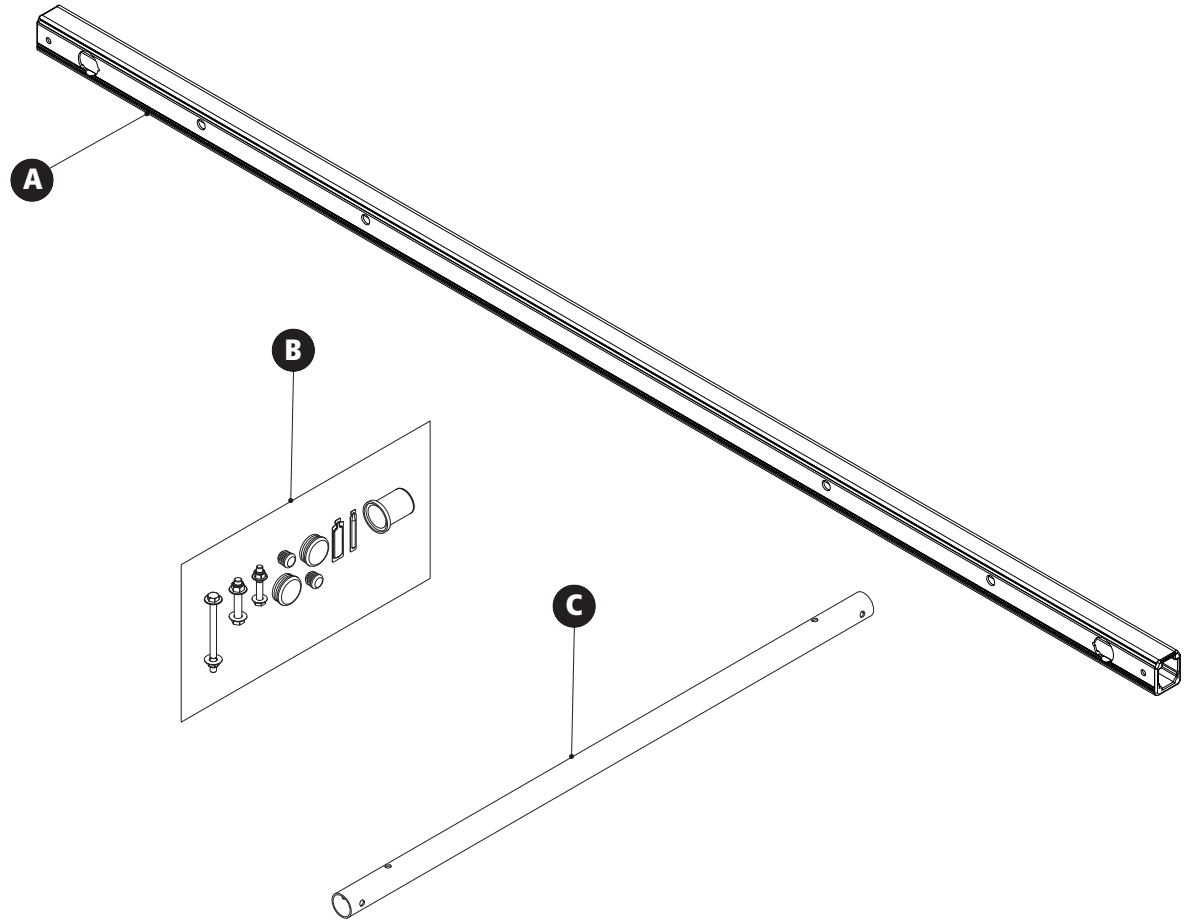
Weight: 13 lbs

A: .....CBR-1311-78 Middle Crossbar

B: ..... HKT-8407 Hardware Kit

C: .....ELR-1203 3' Connecting Bar Feature

[Modular Assembly Manuals](#)

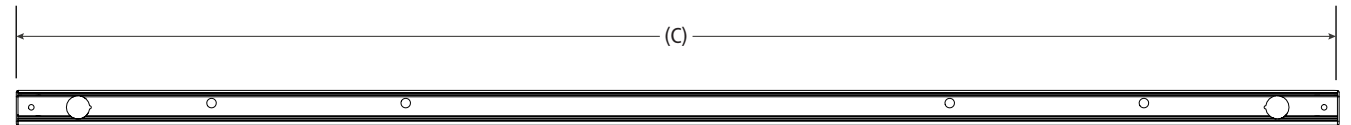
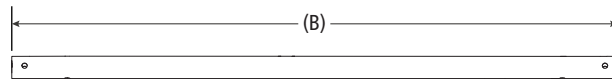
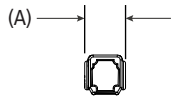
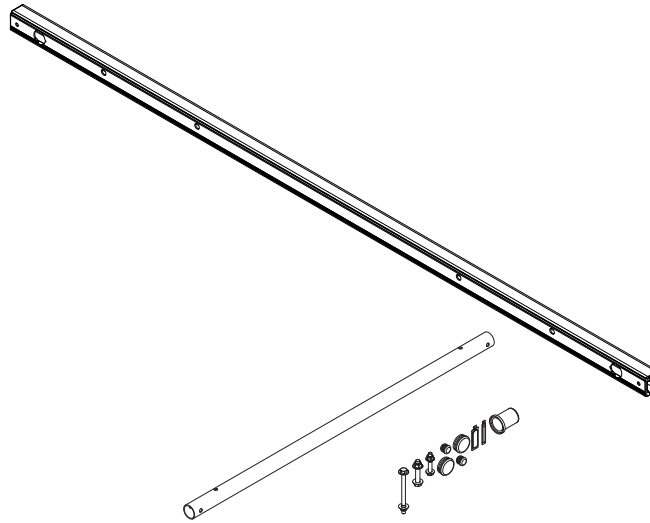


## CBR-0017

### Middle Crossbar Module

Approximate dimensions as shown:

- A: Crossbar Width ..... 1.75"
- B: Connecting Bar Length ..... 35.50"
- C: Crossbar Length ..... 78"



\*Note: Mounting Hardware purchased separately. For more information, please contact Sales & Support.

Assembly Manual also available:

[CBR-0017](#)

USOV-CBR0017-US01 Rev-B 0220