

CBR-0011

Mid Crossbar Kit Module

Dimensional Specifications on Page 2

Configuration as shown:

Rotation Left
w/ Front Drive Shaft, Connecting Bar, and Hardware
One Crossbar, Powder Coat Finish
Weight: 11 lbs

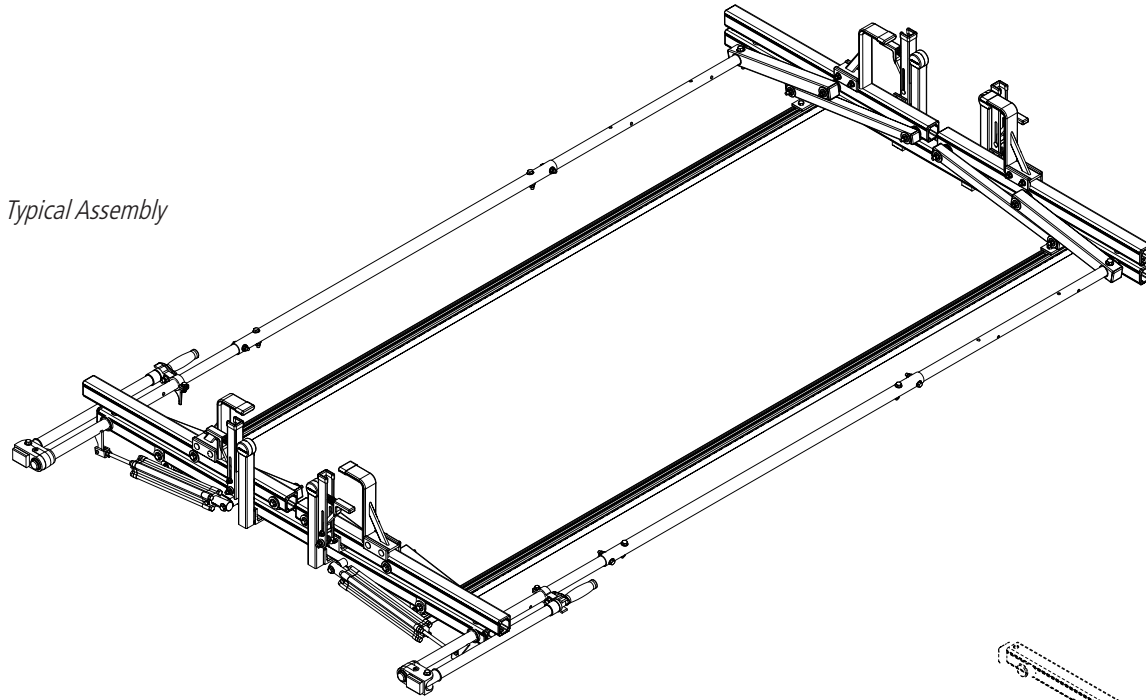
CBR-7210-62 Middle Crossbar
ELR-1202 2' Connecting Bar
ELR-8064 Front Drive Shaft, 11.75"
HKT-8407 Rotation Hardware
MPK-0010 Crossbar Mounting System

Load specifications as shown:

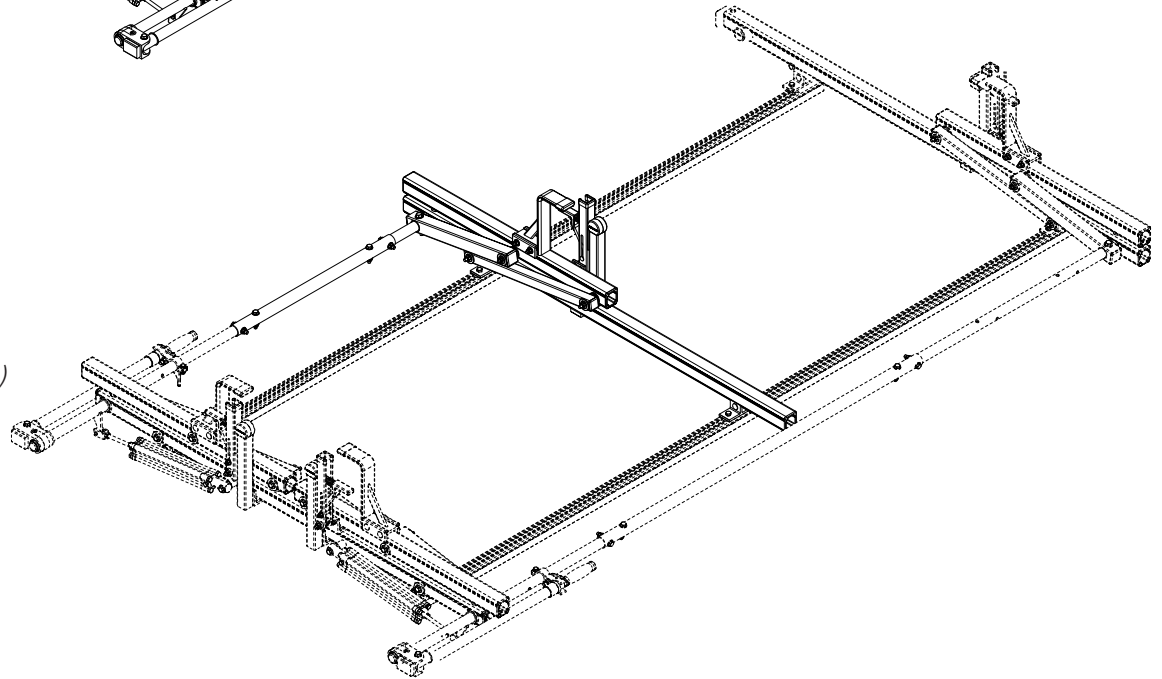
Maximum Ladder Weight LH..... 75 lbs
Maximum Ladder Length LH..... 32 ft
Maximum Ladder Section LH..... 16 ft

[Modular Assembly Manuals](#)

Typical Assembly



*Assembly with CBR-0011
(over typical assembly image)*

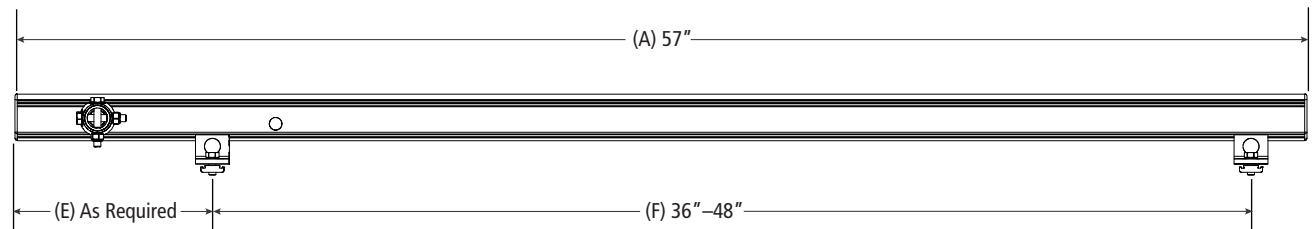
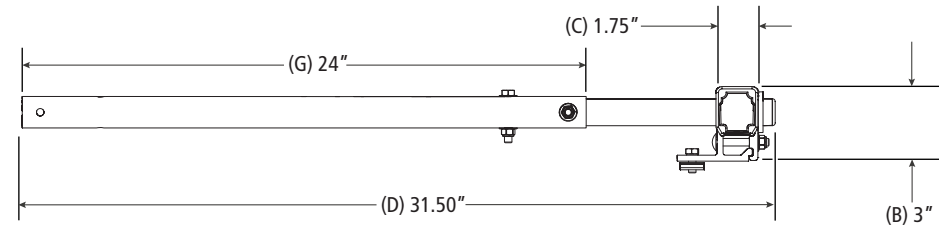
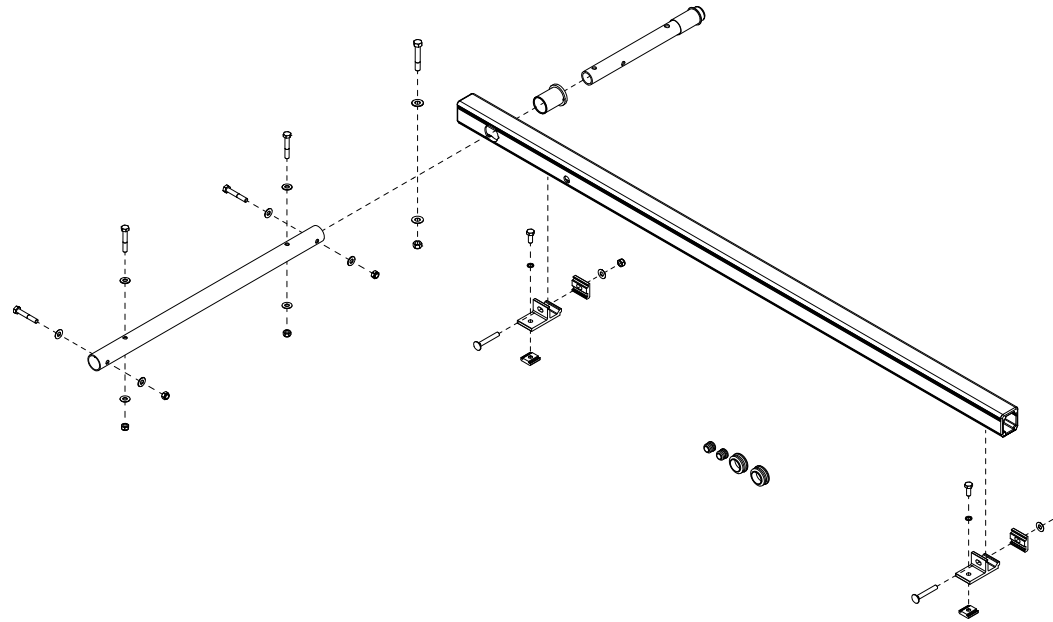


CBR-0011

Mid Crossbar Kit Module

Approximate dimensions as shown:

- A: Crossbar Length.....57"
- B: Crossbar Height w/Mounts.....3"
- C: Crossbar Width.....1.75"
- D: Total Assembly Width.....31.50"
- E: Mount Offset LH.....As Required
- F: Mount Spacing L/R.....36"–48"
- G: Connecting Bar Length.....24"



Assembly Manual also available:

[CBR-0011](#)

USOV-CBR0011-US01 Rev-A 0118