

CBR-0008

Middle Crossbar Module

Dimensional Specifications on Page 2

Configuration as shown:

Rotation Left, Powder Coat Finish

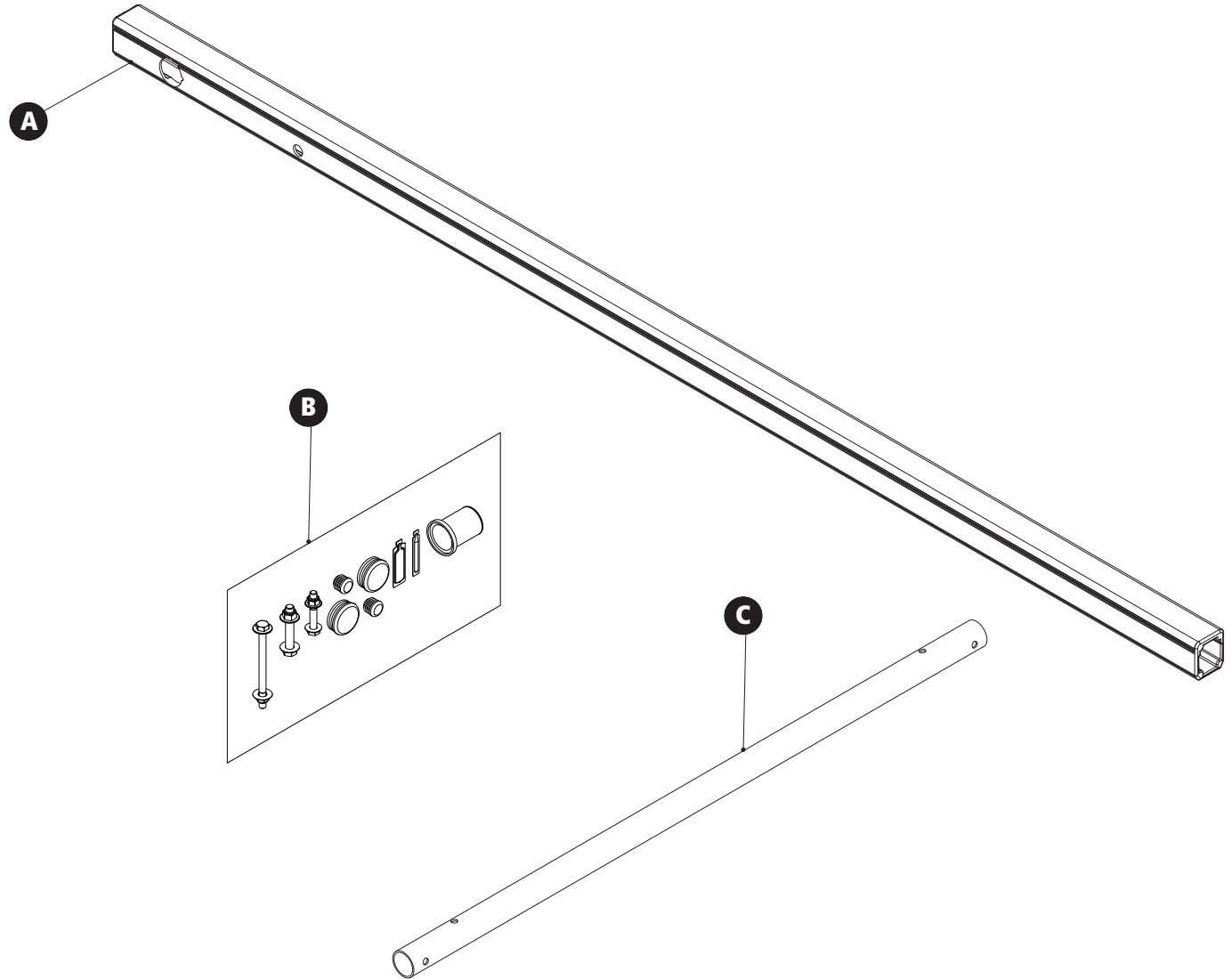
Weight: 9 lbs

A: CBR-7210-72 Middle Crossbar, 72" Family

B: HKT-8407 Hardware Kit

C: ELR-1203 3' Connecting Bar Feature

[Modular Assembly Manuals](#)

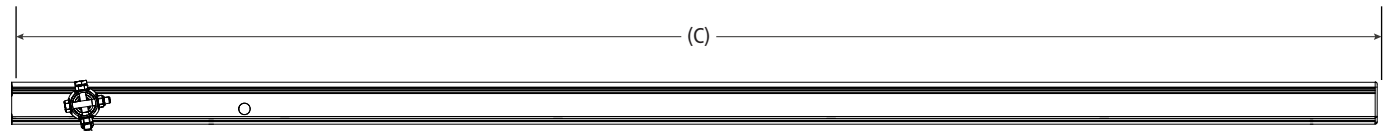
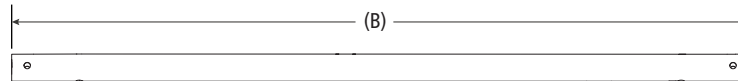
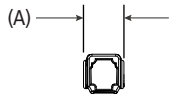
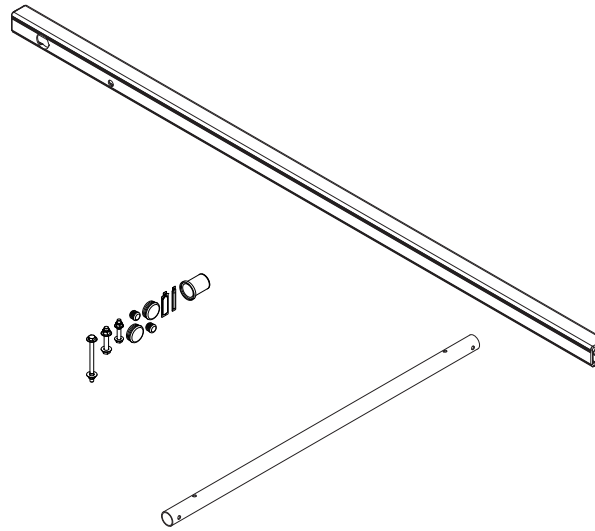


CBR-0008

Middle Crossbar Module

Approximate dimensions as shown:

- A: Crossbar Width 1.75"
- B: Connecting Bar Length 35.50"
- C: Crossbar Length 67"



Assembly Manual also available:

[CBR-0008](#)

USOV-CBR0008-US01 Rev-C 1019