

CBA-3009

72" Crossbar Assembly Module

Dimensional Specifications on Page 2

Configuration as shown:

Base Left/Base Right

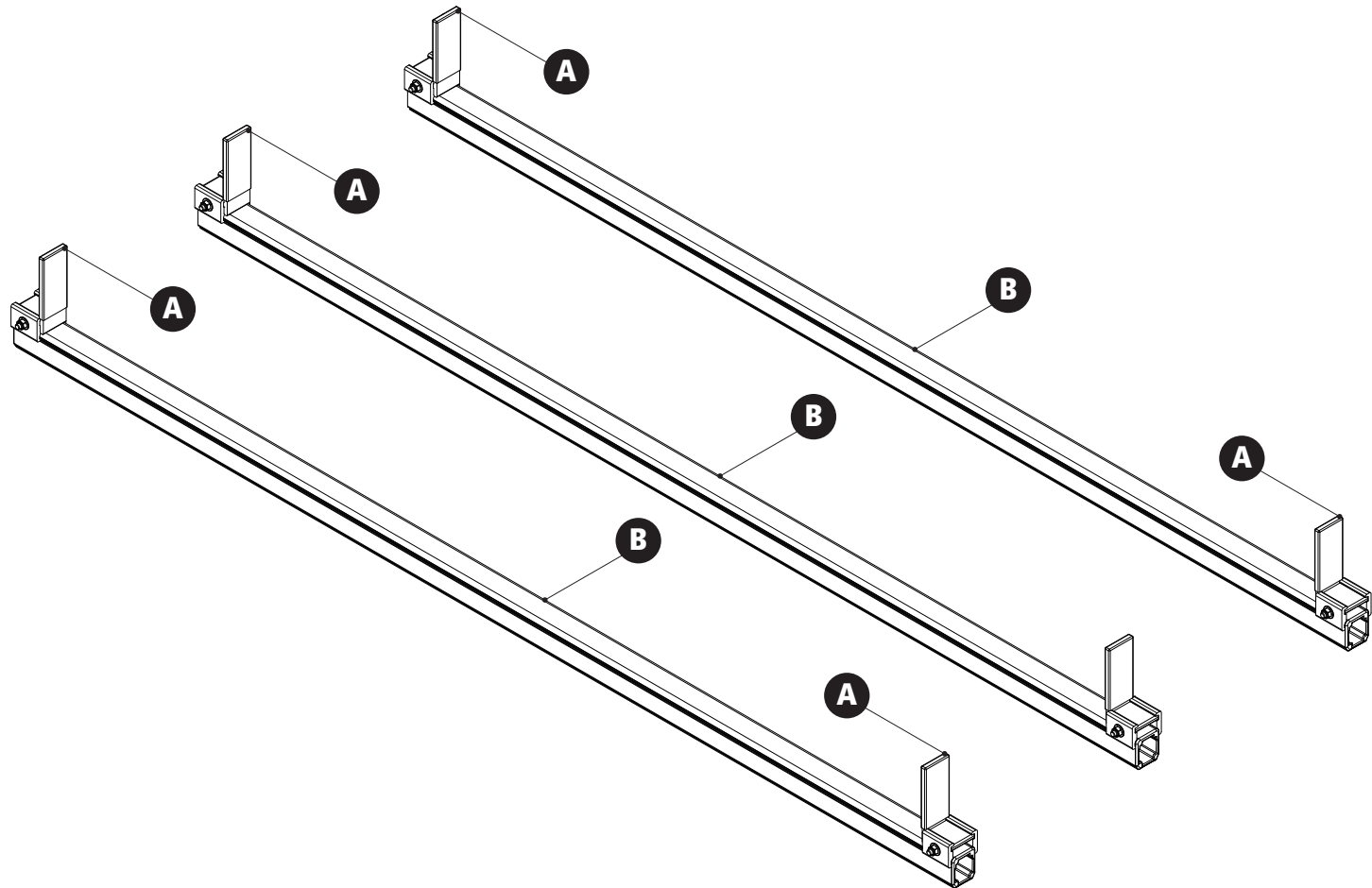
Three Crossbars, Powder Coat Finish

Weight: 21 lbs

A:BRT-8201 Ladder Stop

B:CBR-9100-72 Crossbar

[Modular Assembly Manuals](#)



**Note: Mounting Hardware, Drive Shafts,
and Connecting Bars are purchased separately.*

For more information, please contact Sales & Support.

CBA-3009

72" Crossbar Assembly Module

Approximate dimensions as shown:

- A: Crossbar Length.....72"
- B: Assembly Height.....7"

**Note: Mounting Hardware, Drive Shafts, and Connecting Bars are purchased separately. For more information, please contact Sales & Support.*

Assembly Manual also available:

[CBA-3009](#)

USOV-CBA3009-US01 Rev-A 1118

**Other Parts and Hardware ordered separately*

Typical Assembly with CBA-3009

