

CBA-3003

62" Crossbar Assembly Module

Dimensional Specifications on Page 2

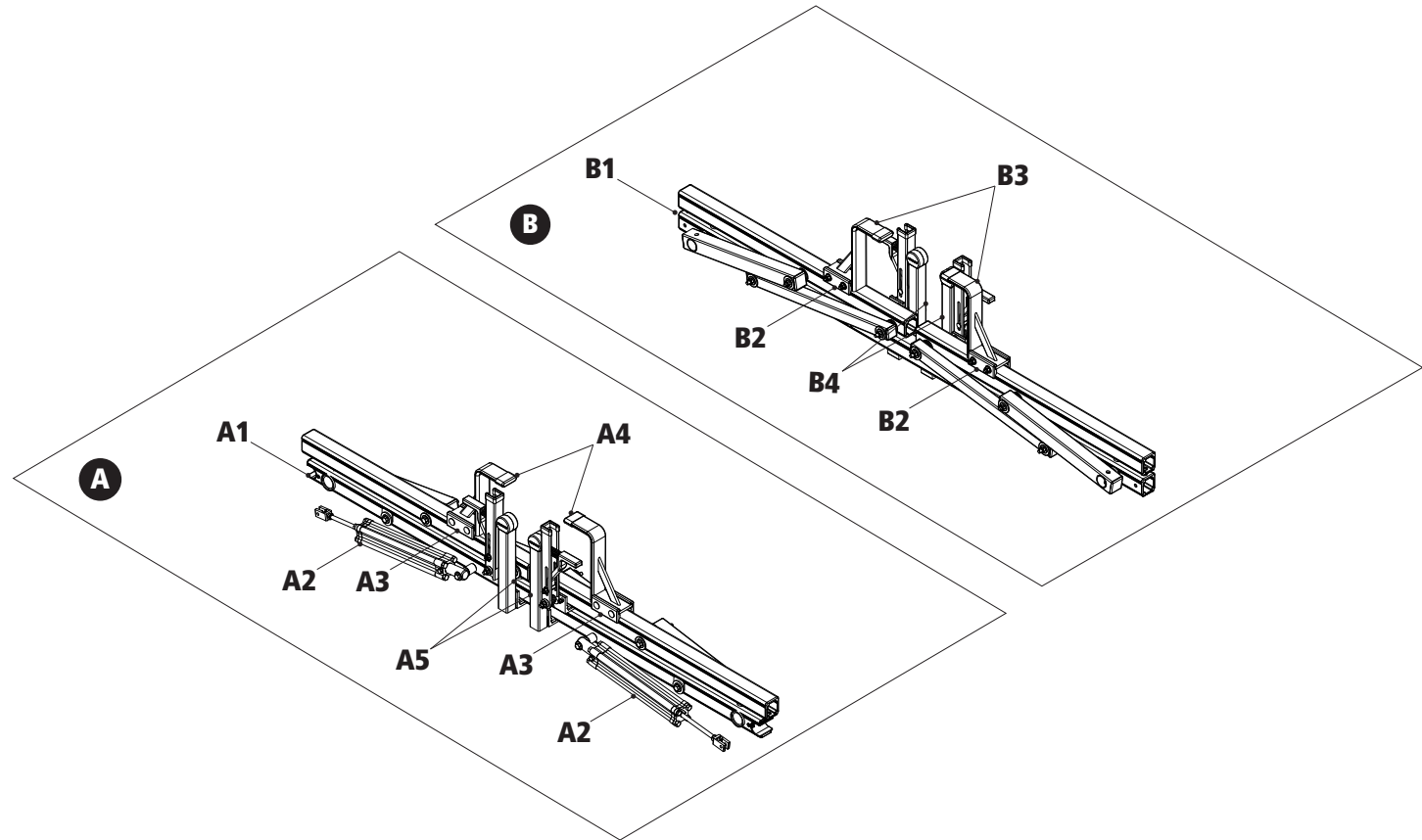
Configuration as shown:

Rotation Left/Rotation Right
Two Crossbars, Powder Coat Finish
Weight: 53 lbs

- A: CB4-9711-62-11 LH/RH Rear Rotation
- A1:..... CBR-1711-62 Interlocking Crossbar
- A2:..... CYL-8801 Cylinder
- A3:..... ELR-7282 Z-Post Bracket
- A4:..... ELR-7080 Z-Post
- A5:..... ELR-7073 L-Post
- B:..... CB4-9111-62-11 LH/RH Front Rotation
- B1:..... CBR-1311-62 Crossbar
- B2:..... ELR-7282 Z-Post Bracket
- B3:..... ELR-7080 Z-Post
- B4:..... ELR-7073 L-Post
- C:Quick Start Guide (not shown)

[Modular Assembly Manuals](#)

**Note: Mounting Hardware, Drive Shafts,
and Connecting Bars are purchased separately.
For more information, please contact Sales & Support.*



CBA-3003

62" Crossbar Assembly Module

Approximate dimensions as shown:

- A: Crossbar Length..... 62"
- B: Assembly Height..... 12.50"

*Note: Mounting Hardware, Drive Shafts, and Connecting Bars are purchased separately.
For more information, please contact Sales & Support.

Assembly Manual also available:

[CBA-3003](#)

USOV-CBA3003-US01 Rev-A 1118

*Other Parts and Hardware ordered separately

Typical Assembly with CBA-3003

