

AR-2000

AluRack Crossbar Module, 53" Kit

Configuration as shown:

AR-2000 (Clear Anodized)

AR-2000-BLK (Black Anodized)

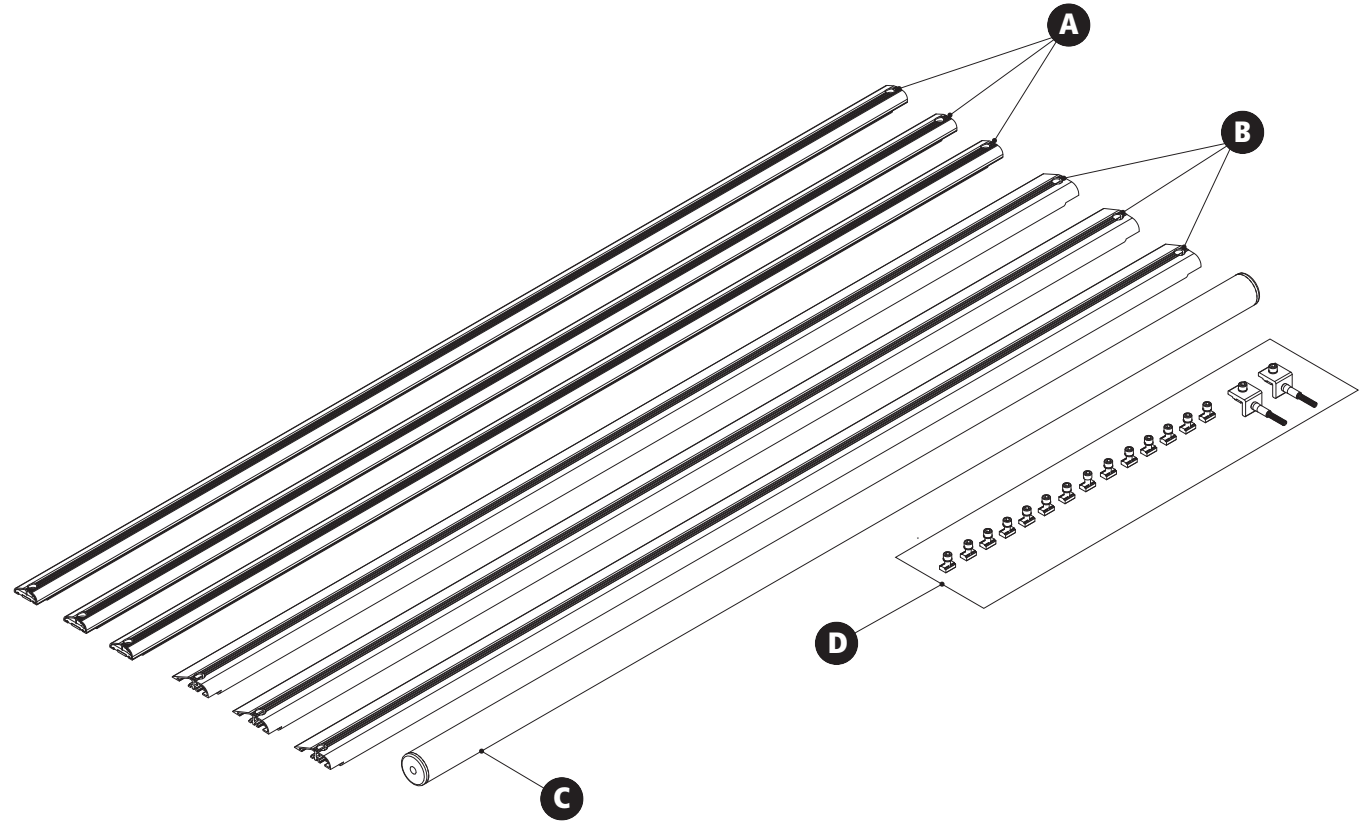
Weight: 21 lbs

A: BRR-4005 53" Standard Crossbar

B:BRR-1553 53" Heavy Duty Crossbar

C:ROL-7009 Roller Tube and Cap Assembly

D: HKT-0081 Crossbar Hardware Kit



Assembly Manual also available:

[AR-2000](#)

USOV-AR2000-US01 Rev-A 0219