

AAL-8013

2011+ Nissan NV-H1 Rear Door Access Ladder

Dimensional Specifications on Page 2

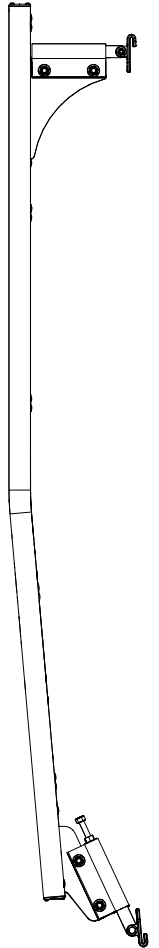
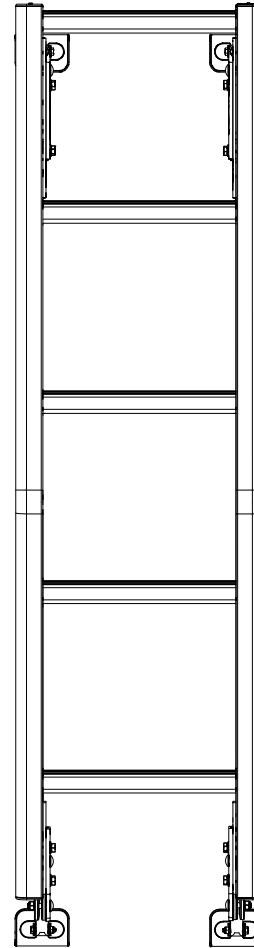
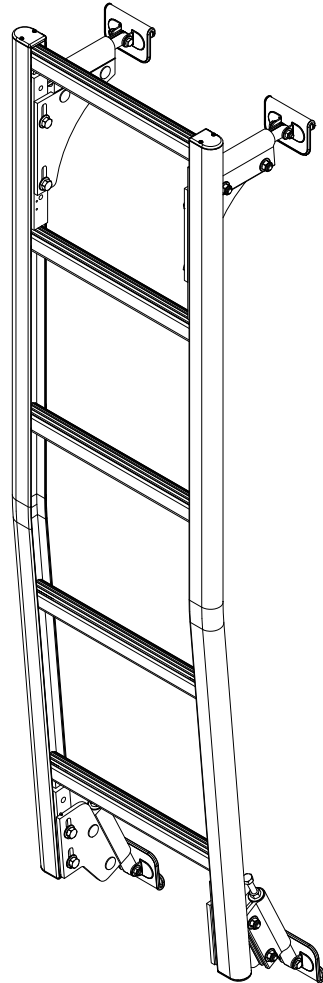
Configuration as shown:

AAL-8013 (Clear Anodized)

AAL-8013-BLK (Black Anodized)

Vehicle-Specific Mounting Bracket System

Overall Weight (empty): 15.25 lbs

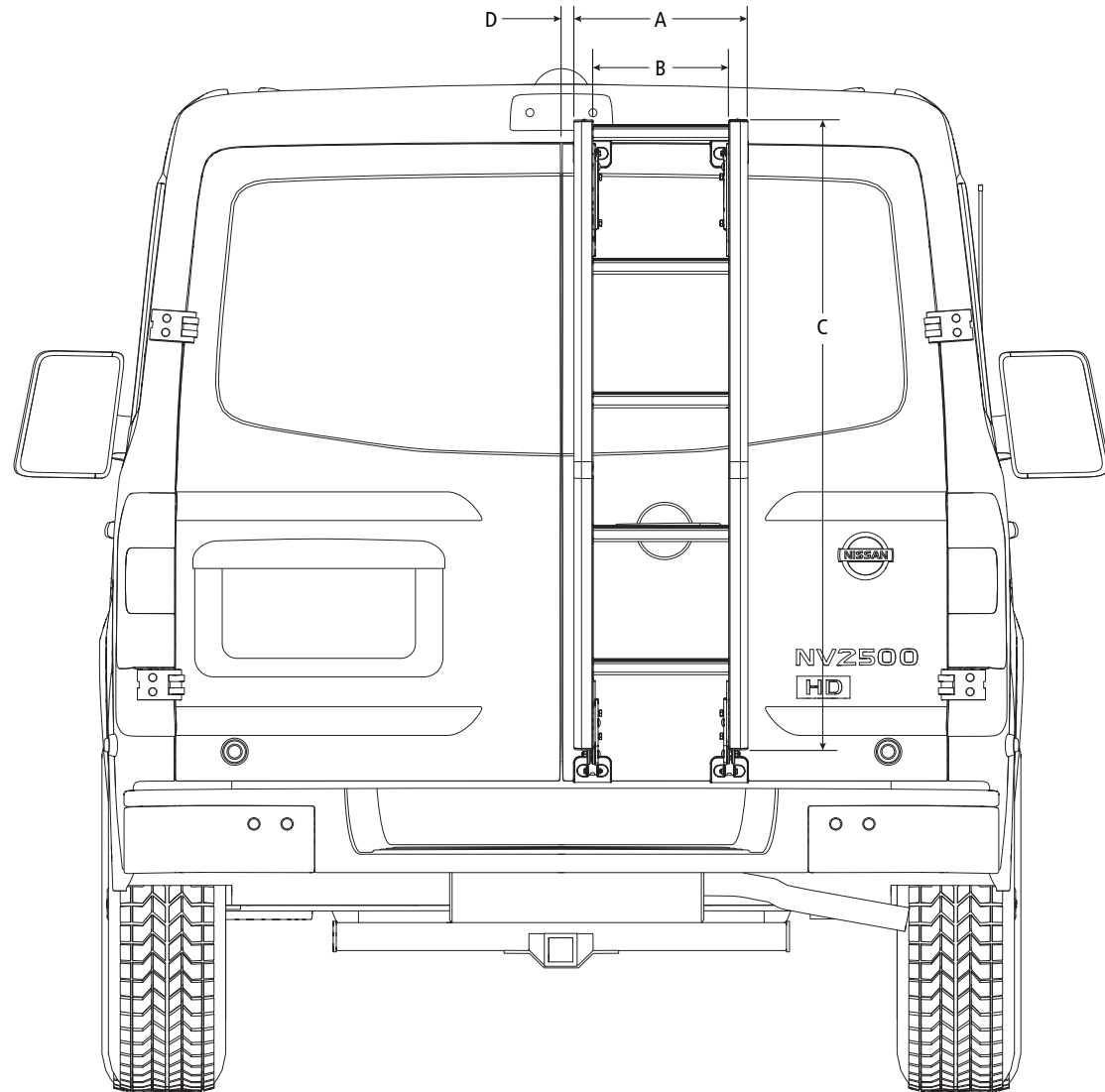


AAL-8013

2011+ Nissan NV-H1 Rear Door Access Ladder

Approximate dimensions as shown:

- A: Overall Ladder Width 15"
- B: Usable Ladder Width 11.75"
- C: Ladder Height 54"
- D: Door Seam Offset 13/16"



Assembly Manual also available:

AAL-8013

USOV-AAL8013-US01 Rev-A 0118