

PRIME DESIGN™

A Safe Fleet Brand

AAL-8004

2007+ Mercedes Sprinter-H1 Rear Door Access Ladder

Dimensional Specifications on Page 2

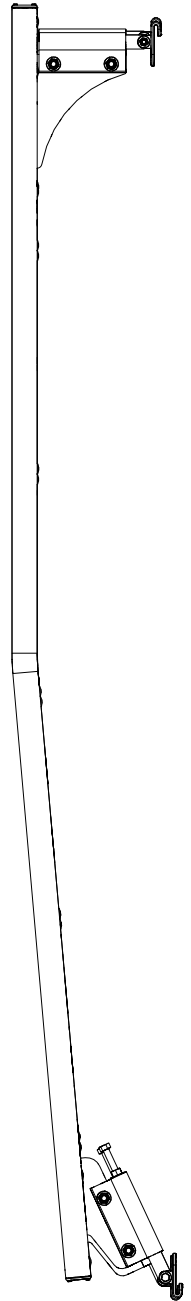
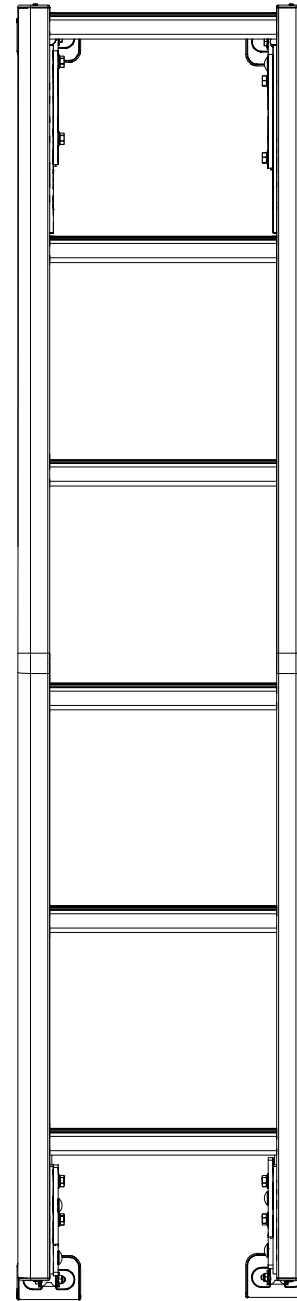
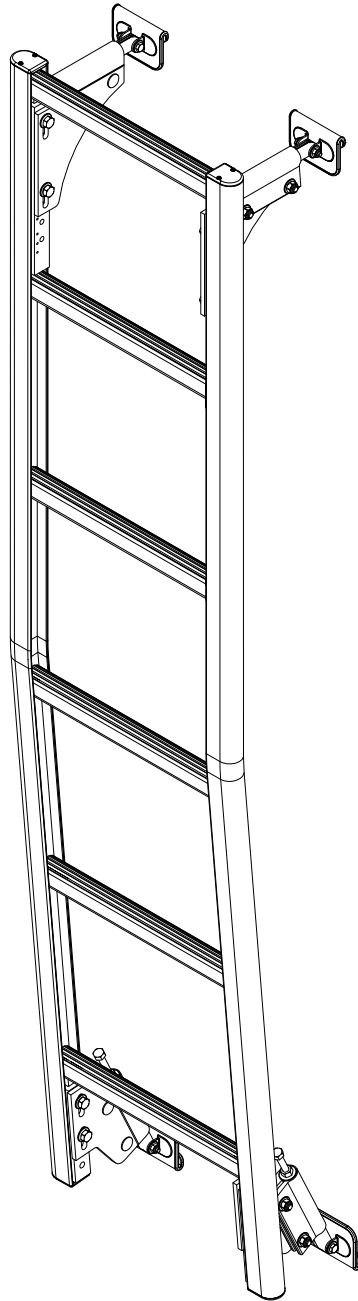
Configuration as shown:

AAL-8004 (Clear Anodized)

AAL-8004-BLK (Black Anodized)

Vehicle-Specific Mounting Bracket System

Overall Weight (empty): 17 lbs

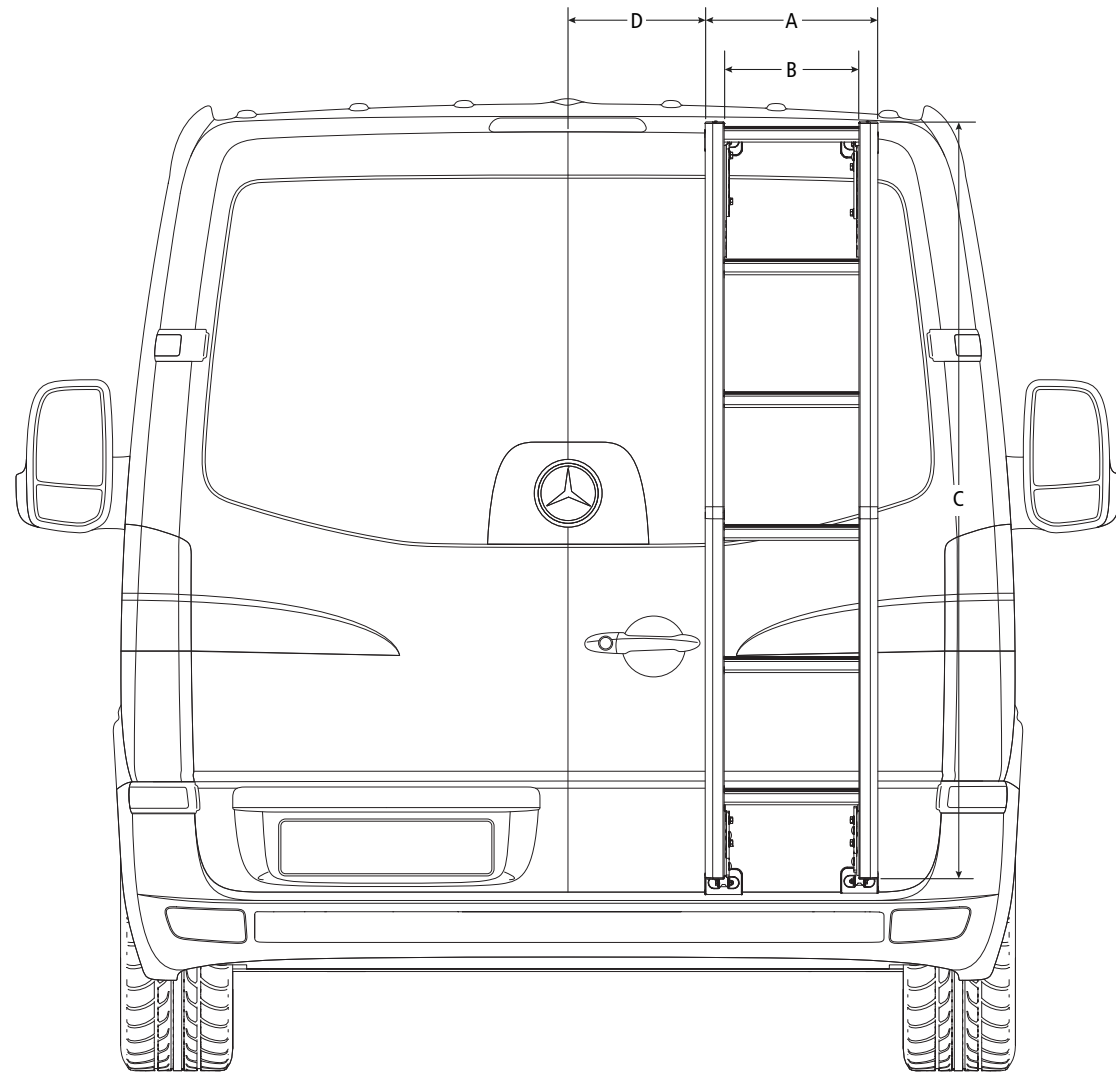


AAL-8004

2007+ Mercedes Sprinter-H1 Rear Door Access Ladder

Approximate dimensions as shown:

- A: Overall Ladder Width 15"
- B: Usable Ladder Width 11.75"
- C: Ladder Height 66"
- D: Door Seam Offset 10"



Assembly Manual also available:

AAL-8004

USOV-AAL8004-US01 Rev-B 0118