

FPM-1020

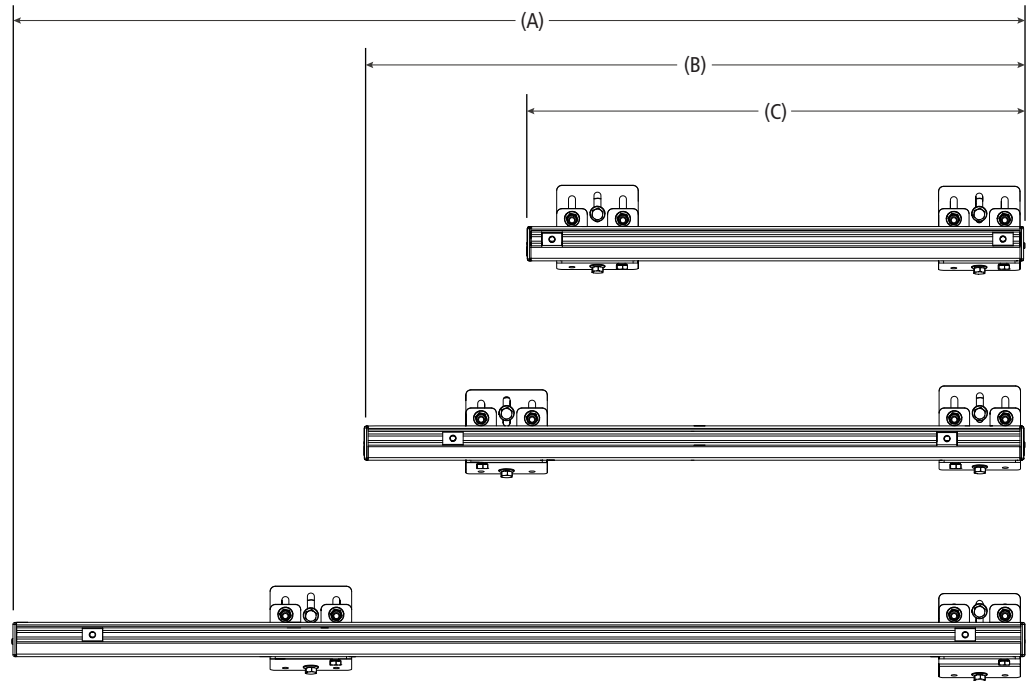
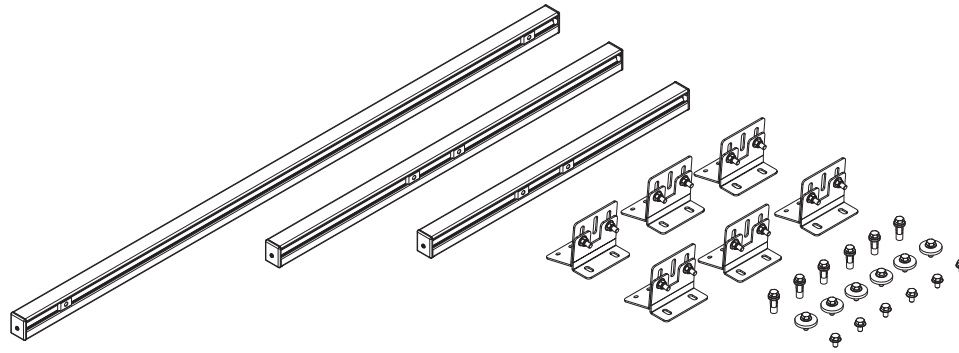
Ford Transit High/Mid Roof FoldPro Shelf Mounting System

Configuration as shown:

Weight: 18.50 lbs

Approximate dimensions as shown:

- A: Channel Width 51.00"
- B: Channel Width 32.00"
- C: Channel Width 24.00"



Assembly Manual also available:

FPM-1020

USOV-FPM1020-US01 Rev-B 0623